

# SCREW JACK ACTUATOR CONTROLS ROTARY COUNTERS

The Duff-Norton Rotary Counter is for actuator customers who are looking for a more economical and easy way to determine an actuator's position. Our counters have been designed to match our most common actuator ratios. An operator viewing the reading in the display window will know his actuator's exact position because the counter's display shows stroke to the nearest Thousandths of an inch up to 99 inches of travel. Custom numeric displays are also available.

## FEATURES

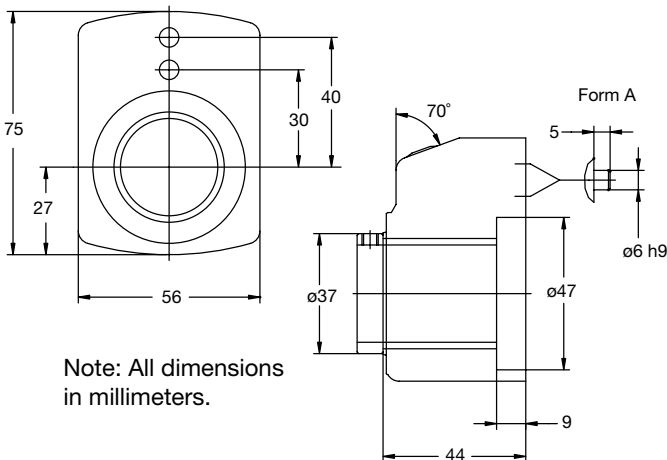
- Display readings have been pre-matched to the actuator's ratios.
- Display reading has been extended to the nearest Thousandths of an inch.
- Clockwise and counter clockwise models available.
- Easy mounting kits available for installation to existing field actuators.



Model Number	Turns of Worm for 1 Inch Raise	MS Actuator Capacity and Ratio				Approx. Width
		Standard	Optional 1	Optional 2	Numeric	
Clockwise Rotation						
RC16R	16	5-100 Tons				2 inch
RC24R	24	2-3 Tons				2 inch
RC32R	32			5 Ton		2 inch
RC48R	48		10-100 Ton	2-3 Ton		2 inch
RC64R	64		5 Ton			2 inch
RC96R	96		2-3 Ton			2 inch
RC100R	100				2-25 Ton	2 inch
Counter Clockwise Rotation						
RC16L	16	5-100 Tons				2 inch
RC24L	24	2-3 Tons				2 inch
RC32L	32			5 Ton		2 inch
RC48L	48		10-100 Ton	2-3 Ton		2 inch
RC64L	64		5 Ton			2 inch
RC96L	96		2-3 Ton			2 inch
RC100L	100				2-25 Ton	2 inch

Note: counter models with either 24 or 96 turns will be short .002 inch per inch. For those models, instead of a 1.000 inch reading, one would have a .998 inch reading.

## Rotary Counter Installation



## Rotary Counters - Mounting Information

The Duff-Norton Rotary Counter fits over the actuator's worm shaft. A special worm bushing fills dimensional difference between the counter's bore and the worms' diameter (see table). An anti-rotation pin from the counter's rear into the actuators' worm flange holds the counter steady.

Model Number	Bore Size	Capacity
SK8001-6	.500"	2 Ton MS
BU10-.625	.625"	3 Ton MS
BU10-.750	.750"	5 Ton MS
BU10-1.00	1.00"	10 - 20 Ton MS

Note: Capacities greater than 20 Tons have their worm diameters turned down to size.