

# SCREW JACK ACTUATOR CONTROLS POTENTIOMETER / TRANSDUCER

The Duff-Norton SKA6205 Series Position Feedback Potentiometer/Transducer is designed to mount on the end of any SKA6000T limit switch. Its active component is a precision potentiometer which may be used as voltage divider to provide a feedback voltage that is proportional to actuator position.

## FEATURES

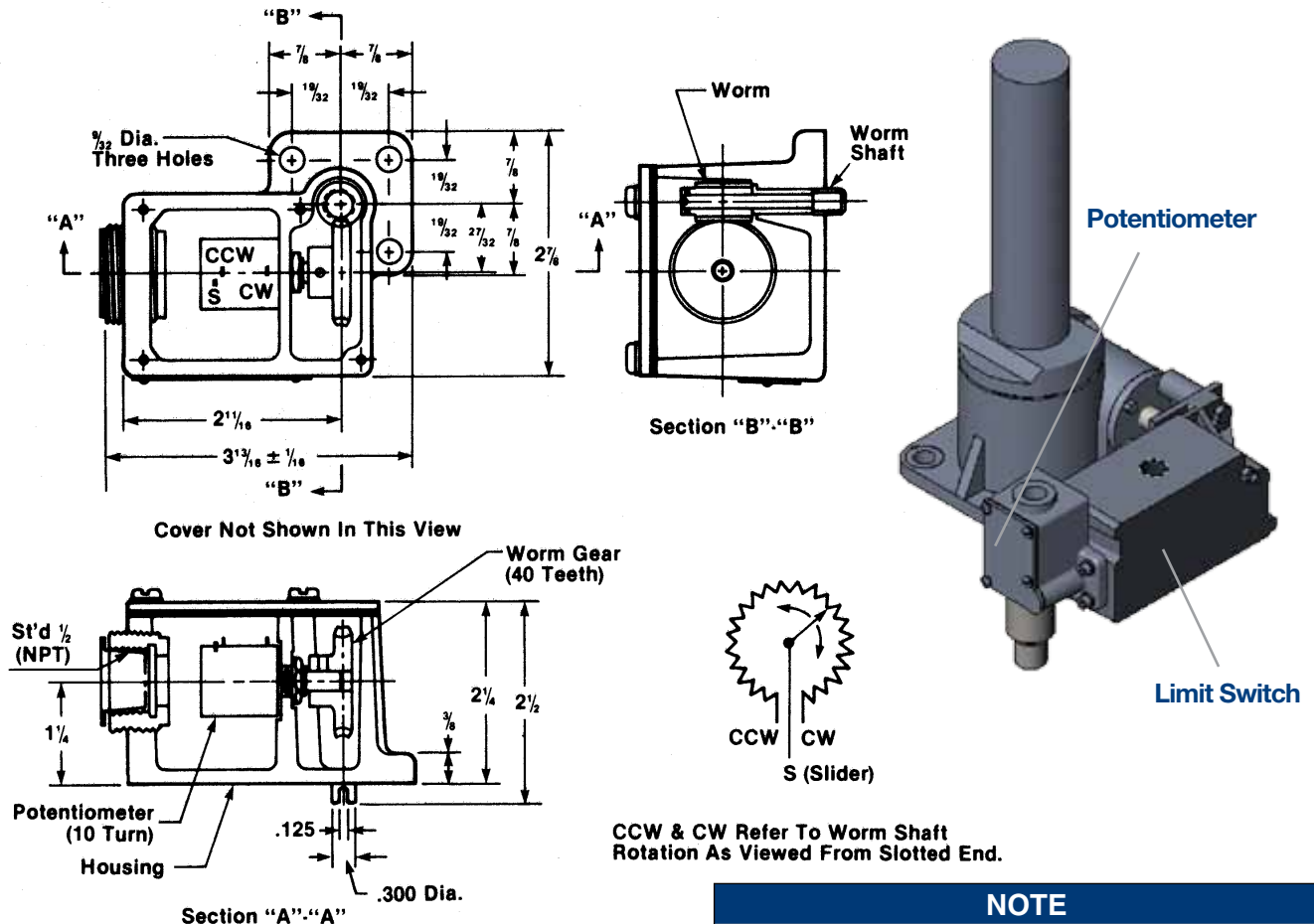
- Multiple gear ratios allow for a wide range of raises.
- Standard resistance is 5000 ohms. Other resistances are available on special order.
- Power rating: 2 watts at 40°C
- Maximum service temperature: 85°C
- Interface directly with the Model SK6300-4K Digital Position Indicator to provide a scalable readout of position. The SKA6205 series models can also be used with most motor controls that have provision for potentiometer feedback signal.
- Transducer supplied with black anodized finish as standard.

## Potentiometer Performance Specifications

Model Number	Maximum Turns Potentiometer Worm Shaft
SKA6205-30	30
SKA6205-50	50
SKA6205-60	60
SKA6205-100	100
SKA6205-200	200
SKA6205-400	400

Note: When used with Duff-Norton actuators and limit switched the potentiometer selection should be:

$$\text{Desired potentiometer turns} = \frac{\text{Total stroke} \times \text{Worm turns per inch}}{\text{L.S. gear ratio}}$$



CCW & CW Refer To Worm Shaft Rotation As Viewed From Slotted End.

## NOTE

Transducer shipped unattached, to be installed at site. Includes required mounting hardware; soldering to potentiometer required.

# SCREW JACK ACTUATOR CONTROLS

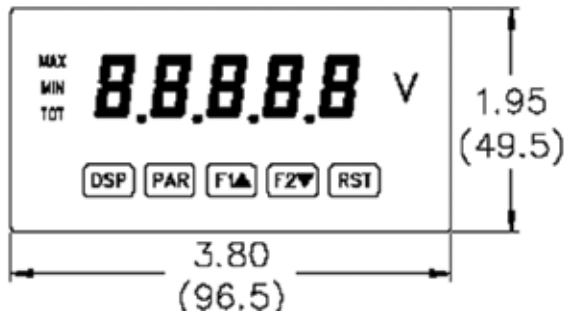
## DIGITAL POSITION INDICATOR FOR DUFF-NORTON POTENTIOMETERS

The Duff-Norton model SK6300-4K Digital Position Indicator processes a feedback signal from a the SKA6205 series potentiometers to provide position readout with user selectable scaling factor. By running the actuator to two positions in its stroke and keying in the desired readout at each point, the indicator automatically scales the input signal to provide linear readout over the full travel of the actuator.

The SK6300-4K has a universal, 85-250 VAC power input and generates a regulated 24 VDC excitation signal to the potentiometer. The SK6300-4K operates seamlessly with any potentiometer equipped Duff-Norton actuator.

### FEATURES

- Self scaling by inputting minimum and maximum readings – either by key stroke or input signal.
- Two adjustable up / down limits with 0 to +/- 99999.
- Accepts 1K to 10K potentiometer inputs.
- Programmable decimal point location.
- Input power requirement from 85 – 250 VAC.
- Programmable front panel functions.
- For use with Duff-Norton 2 through 150 ton machine or ball screw actuators.



NOTE: Recommended minimum clearance (behind the panel) for mounting clip installation is 2.1" (53.4) H x 5.0" (127) W  
Dimension in inches (mm)

