

SCREW JACK

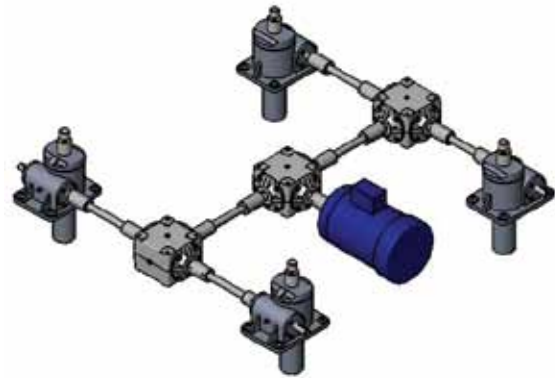
POWER TRANSMISSION COMPONENTS

MITRE BOXES

Power transmission systems frequently use multiple actuator arrangements. Such systems commonly use mitre boxes to effectively position and equally distribute loads. As the mitre boxes are supplied with 1:1 gear ratios as standard, all motion is synchronous upon system actuation through the main drive shaft.

FEATURES

- 98% average efficiency ratings.
- Carburized and case hardened bevel gears.
- Alloy steel input/output shafts for greater strength.
- Anti-friction bearings on all shafts.
- MB-4 and MB-8 models come with lifetime lubrication, stainless steel shafts and aluminum housings.



Mitre Box Performance Specifications			
Part Number	Type	Capacity (in/lbs)	Shaft Diameter
MB-4	3-Way	23	.375"
MB-8	3-Way	97	.75"
MB-16	3-Way	344	.625"
MB-19	3-Way	1400	1.0"
MB-19G	4-Way	1400	1.0"
MB-20	3-Way	3000	1.25"
MB-20G	4-Way	3000	1.25"
MB-22	3-Way	5000	1.375"
MB-22G	4-Way	5000	1.375"

Our mitre boxes feature a compact design, which eliminates the need for an extended hub. With this design feature the bevel gear is supported by tapered roller bearings on both sides. The result is a higher horsepower rating, increased service-life, improved lubrication, and more flexible mounting compared to other brands.

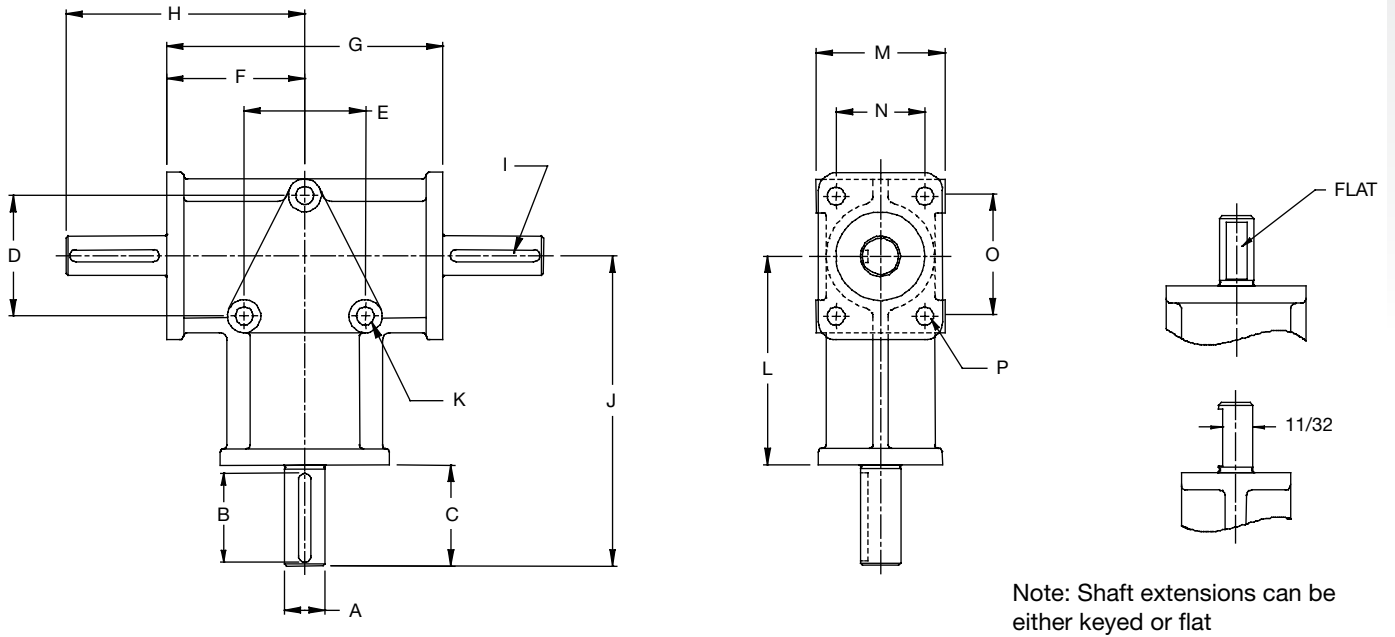


SCREW JACK

POWER TRANSMISSION COMPONENTS

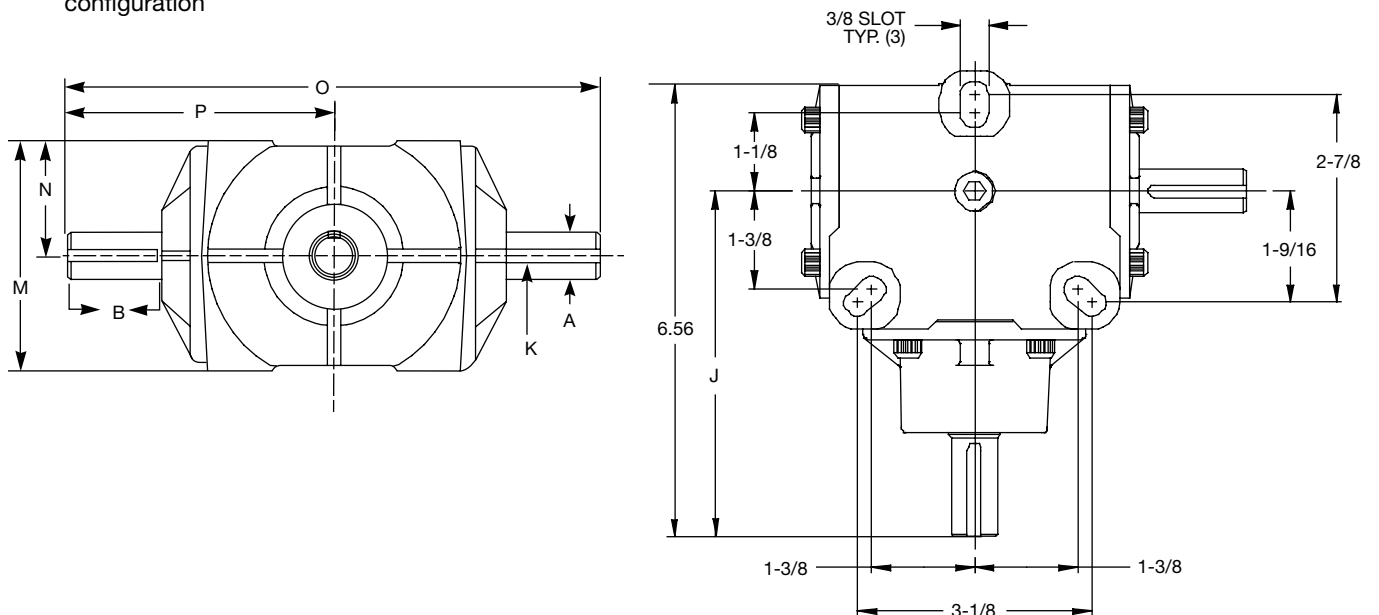
MITRE BOX DIMENSIONAL SPECIFICATIONS

Model	Torque	A	B	C	D	E	F	G	H	I	J	K	L	M	N	O	P
MB-4	23	0.375	0.625	0.781	1.313	1.313	1.375	2.750	2.156	FLAT	2.938	0.219	2.156	1.250	0.875	1.188	0.188
MB-8	97	0.750	1.375	1.563	3.000	3.000	3.000	6.000	4.563	3/16"	6.563	0.375	5.000	3.000	2.250	3.000	0.375



Model	Torque	A	B	C	D	E	F	G	H	I	J	K	L	M	N	O	P
MB-16	344	0.625	1.219	—	—	—	—	—	—	1.688	4.875	0.187	—	3.188	1.594	7.250	3.625

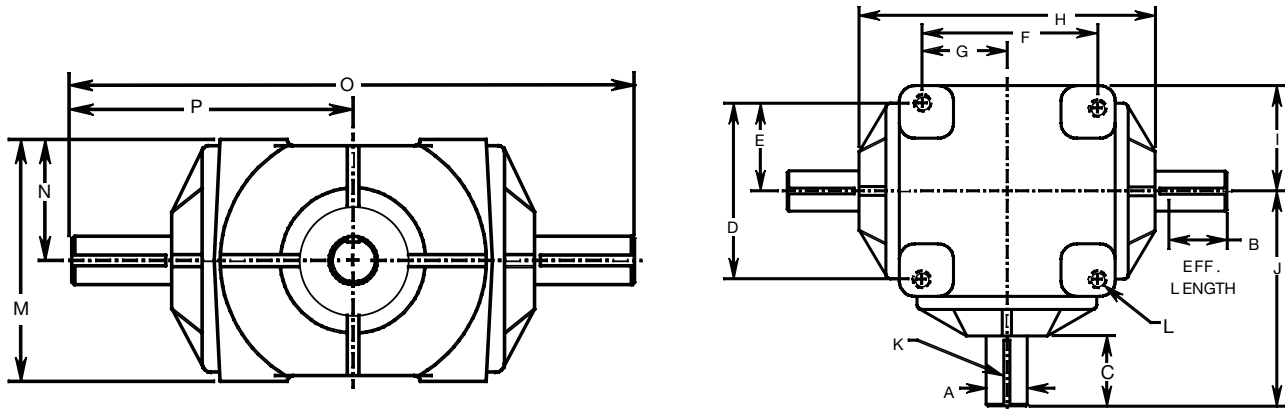
Note: Standard model is a 3-way configuration



SCREW JACK

POWER TRANSMISSION COMPONENTS

MITRE BOX DIMENSIONAL SPECIFICATIONS



Model	Torque	A	B	C	D	E	F	G	H	I	J	K	L	M	N	O	P
MB-19 (G)	1400	1.000	1.396	2.000	4.250	2.125	4.250	2.125	7.000	2.750	5.500	1/4"	3/8"-16	4.125	2.062	11.000	5.500
MB-20 (G)	3000	1.250	1.840	2.500	4.500	2.250	4.500	2.250	8.000	2.875	6.500	1/4"	1/2"-13	5.625	2.813	13.000	6.500
MB-22 (G)	5000	1.375	2.170	2.938	6.000	3.000	6.000	3.000	10.625	4.125	8.250	5/16"	1/2"-13	7.500	3.750	16.500	8.250

Mitre Box Shaft Rotation

Three and four way Duff-Norton MB series mitre boxes are made for reversible mounting. The relationship between input and output shaft rotation can be reversed by mounting the gearbox upside down.

Two way boxes should be specified as "CW in/CW out" or "CW in/CCW out".

