

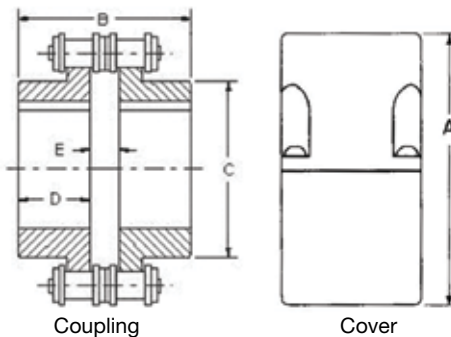
SCREW JACK POWER TRANSMISSION COMPONENTS ACTUATOR - CHAIN COUPLINGS

Duff-Norton provides three coupling types which have been tailored to specific actuator requirements:

FEATURES

Chain Couplings:

- Integrates well with Duff-Norton mid and larger capacity actuators.
- High torque capacities.
- Standard ANSI dimensions, straight bore diameters.
- Common bore diameters may be custom ordered.
- Special bore diameters may be custom ordered.
- Long service lives.
- Easy fit onto the actuator's worm shaft.
- Allows for incremental system adjustments.



Coupling with cover

Chain Coupling Specifications													
Capacity	Part Number	Measurements in inches								Actual Torque at Load **	Coupling Torque	Misalignment (Max.)	
		Standard Bore***	Maximum Bore	Key Broach Dimensions	A*	B	C	D	E			Parallel	Angular
2 Ton	CP03-500500	.500	.875	.125 x .63	4.00	2.53	1.41	1.13	.28	132	1354	.015	1/2 Deg.
3 Ton	CP03-625625	.625	.875	.125 x .63	4.00	2.53	1.41	1.13	.28	181	1354	.015	1/2 Deg.
5 Ton	CP05-750750	.750	1.25	.1875 x .093	4.00	2.53	1.41	1.13	.28	4.95	1354	.015	1/2 Deg.
10-20 Ton	CP20-10001000	1.000	1.687	.25 x .125	5.13	3.25	2.50	1.44	.38	2255	4614	.015	1/2 Deg.
25-30 Ton	CP35-13751375	1.375	2.000	.313 x .156	5.13	3.75	2.97	1.69	.38	4400	5969	.015	1/2 Deg.
50 Ton	CP50-15001500	1.500	2.437	.375 x .1875	6.38	4.23	3.50	1.88	.47	8250	10899	.015	1/2 Deg.

*Includes two hubs, four rubber gaskets, chain, and cover
 ***Tolerance for all bores is +.001/- .000

**Based on Anti-backlash actuator torque ratings

NOTE: Duff-Norton recommends using the cover assembly with the chain coupling

Coupling Selection Guide

1. Flexible couplings are made up of components. Two hubs each with a bore and keyway to match the shafts being coupled and a chain cover (for chain couplings) or a sleeve kit (for gear-type couplings) or a spider (for jaw-type couplings). The bores in the coupling hubs are sized to give an easy fit on actuator worm shafts.
2. Determine required coupling torque with this formula: Torque Requirement per Actuator X Number of Actuators to Be Driven by the Coupling.
3. Verify the required coupling torque. Make sure it's not greater than the maximum rating in the accompanying coupling tables.
4. Chain or full-flex gear couplings are recommended for close coupled arrangements.
5. Chain or flex-rigid gear couplings are recommended for floating shaft arrangements with the rigid hub (if selected) mounted to the floating shaft.
6. For maximum performance, the actuators, shafts, gear boxes and motor should be carefully aligned.

SCREW JACK

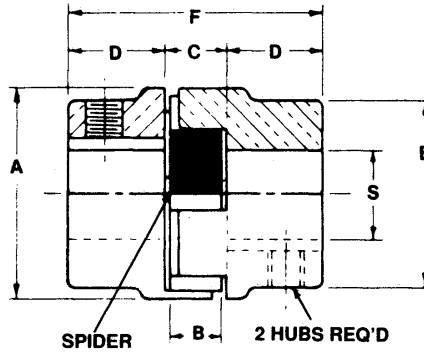
POWER TRANSMISSION COMPONENTS

ACTUATOR - JAW, FULL-FLEX, & FLEX-RIGID GEAR COUPLINGS

FEATURES

Jaw Couplings:

- Integrates well with Duff-Norton smaller capacity actuators.
- Does not require lubrication.
- Our Hytrel® spiders provide 2 times the torque capability vs. a standard urethane or BUNA® spider.
- Easy fit onto the actuators worm shaft.



Jaw Type Coupling Specifications

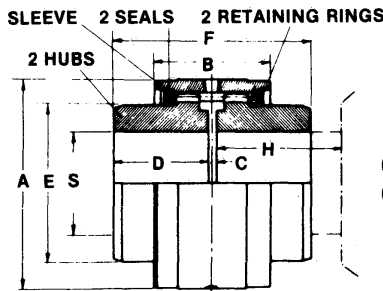
Part Number		Standard Bore***	Maximum Bore	Key Broach Dimensions	A*	B	C	D	E	F	Coupling Torque	Misalignment (Max)	
Hub #	Spider #											Parallel	Angular
SK2555H2	SK2555-29S	.375"	.875"	None	1-5/64	7/16	15/32	5/8	1-5/64	1-23/32	50	.015	1/2 Deg.
SK2402J-H1	SK2402-JS	.375"	.875"	.125" x .63"	1-3/4	15/32	1/2	13/16	1-3/4	2-1/8	250	.015	1/2 Deg.
SK2402J-H2	SK2402-JS	.626"	.875"	.1875" x .0938"	1-3/4	15/32	1/2	13/16	1-3/4	2-1/8	250	.015	1/2 Deg.

*Includes two hubs, and Hytrel spider **Based on Anti-backlash actuator torque ratings ***Tolerance for all bores is +.001/-.000

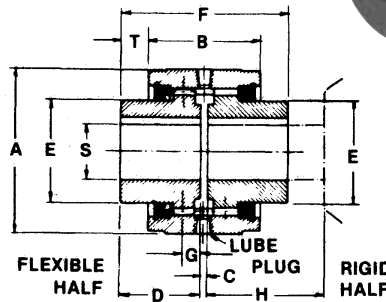
FEATURES

Full-Flex and Flex-Rigid Gear Couplings:

- Gives great strength under load due to compact design and construction.
- Allows for incremental system adjustment.



Gear Coupling



Flex—Rigid Coupling



Gear Coupling Performance Specifications

Capacity	Part Number			Std. Bore***	Max. Bore***	Key Broach Dimensions	A*	B	C	D	E	F	H	Actual Torque at Load**	Coupling Torque	Misalignment (Max)	
	Sleeve Kit	Flex Hub	Rigid Hub													Parallel	Angular
5 Ton	SK2405S	SK2405H	SK2404H	.0751	1.25	.1875" x .0938"	3-5/16	2	1/8	1-1/2	2	3-1/8	2-1/8	495	6300	+	1/2 Deg.
10-20 Ton	SK2410S	SK2410H	SK2409H	1.001	1.25	.25" x .125"	3-5/16	2	1/8	1-1/2	2	3-1/8	2-1/8	2255	6300	+	1/2 Deg.
25-35 Ton	SK2425S	SK2425H	SK2424H	1.376	1.625	.313" x .156"	3-3/4	2-17/32	1/8	1-13/16	2-3/8	3-3/4	2-21/32	4400	18900	+	1/2 Deg.
50 Ton	SK2450S	SK2450H	SK2449H	1.501	1.625	.375" x .1875"	3-3/4	2-17/32	1/8	1-13/16	2-3/8	3-3/4	2-21/32	8250	18900	+	1/2 Deg.
100 Ton	SK2499S	SK2499H	SK2498H	1.751	2.125	.50" x .25"	4-3/4	2-9/16	1/8	2-1/16	3-1/4	4-1/4	2-11/16	17600	50000	+	1/2 Deg.

*Includes two hubs, and Hytrel spider **Based on Anti-backlash actuator torque ratings ***Tolerance for all bores is +.001/-.000