

SCREW JACK POWER TRANSMISSION COMPONENTS BELLOWS BOOTS

Duff-Norton highly recommends the use of a bellows boot for most actuator applications. Duff-Norton can provide bellows boots for the most stringent application requirement.



FEATURES

- Protects the lifting screw from: dust, dirt, moisture, and corrosive contaminants.
- Helps maintain the proper lubrication.
- Can be provided for all actuator screw end types and configurations.
- Standard bellows boots are made of neoprene coated nylon with sewn construction.
- Special bellows boots can be provided with a variety of materials for applications involving high temperatures, highly corrosive atmospheres, and other special conditions.
- Bellows boots can also be provided from molded materials, with internal or external guides to prevent sagging, and with zippers for easy installation or removal.

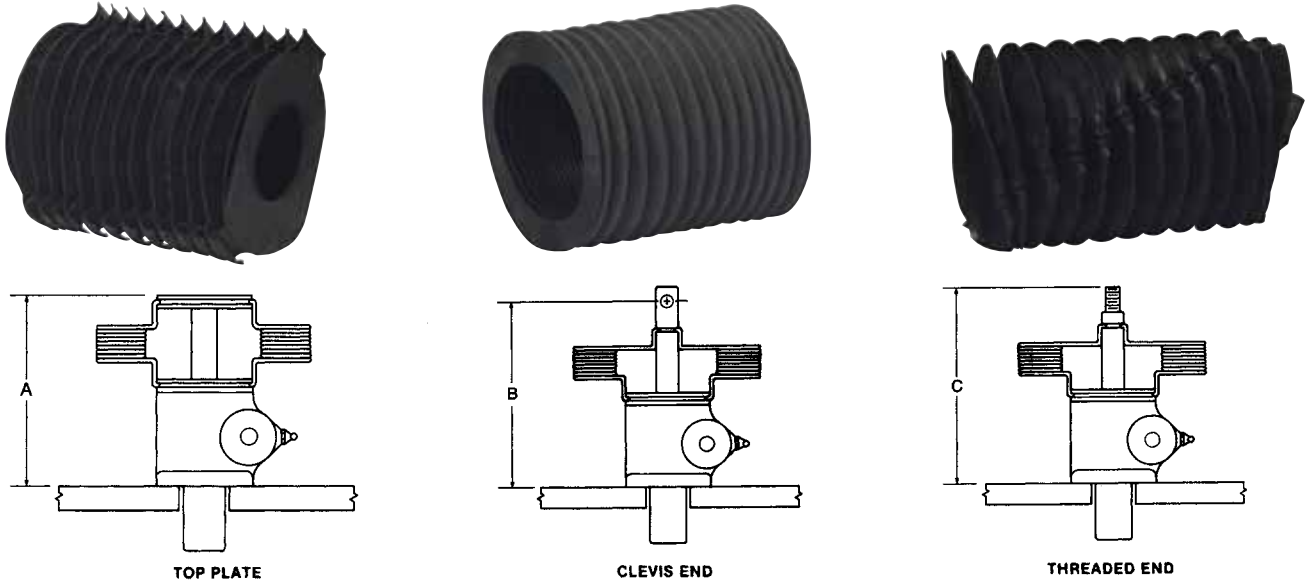
Shell Cap Dimensions			
Actuator Capacity	Shell Cap Diameter "A"	Actuator Capacity	Shell Cap Diameter "A"
1/4 Ton MS	2-1/4		
1/2 Ton MS	2-1/4	1/2 Ton BS	2-1/4
1 Ton MS	2-3/4	1 Ton BS	2-3/4
2 Ton MS	3-1/2	2 Ton BS	3-1/2
3 Ton MS	3-6/16	3 Ton BS	3-1/2
5 Ton MS	4-1/2	5 Ton BS	5-3/8
10 Ton MS	5-1/4	10 Ton BS	4-1/2
15 Ton MS	5-5/8	15 Ton BS	5-5/8
20 Ton MS	6	20 Ton BS	7
25 Ton MS	7-1/2	25 Ton BS	8-7/8
30 Ton MS	7-1/2	50 Ton BS	9-1/2
35 Ton MS	7-7/8		
50 Ton MS	11-1/4		
75 Ton MS	13-1/4		
100 Ton MS	10		
150 Ton MS	10		
250 Ton MS	16		

SCREW JACK

POWER TRANSMISSION COMPONENTS

BELLOWS BOOTS

Closed Height When Optional Bellows Boots are Required on Standard Upright Actuators



Machine Screw Closed Heights - Upright																									
Actuator Capacity	Boot O.D.	Raise up to 12"			Raise 12" to 18"			Raise 18" to 24"			Raise 24" to 30"			Raise 30" to 36"			Raise 36" to 48"			Raise 48" to 60"			Raise 60" to 72"		
		A	B	C	A	B	C	A	B	C	A	B	C	A	B	C	A	B	C	A	B	C	A	B	C
¼ Ton MS	4-1/4	4	4	4-1/4	4-3/4	4-5/8	5	—	—	—	—	—	—	—	—	—	—	—	—	—	—	—	—	—	—
½ Ton MS	4-1/4	4	4	4-1/2	4-1/4	4-5/8	4-1/2	4-1/4	4-5/8	4-1/2	—	—	—	—	—	—	—	—	—	—	—	—	—	—	—
1 Ton MS	6	4-1/2	5	5-3/8	5-1/8	5-5/8	6	5-1/2	5-3/4	6-1/4	—	—	—	—	—	—	—	—	—	—	—	—	—	—	—
2 Ton MS	7-3/4	5-1/4	6-1/2	7-1/4	5-1/4	7-1/2	8-1/4	5-3/4	7-1/2	8-1/4	5-3/4	7-1/2	8-1/4	6-1/4	8-1/2	9-1/4	—	—	—	—	—	—	—	—	—
3 Ton MS	7-3/4	5-3/4	6-1/2	6-1/2	6-1/8	7	7	6-5/8	7	7	6-5/8	7-7/8	8	7-7/8	7-7/8	8	—	—	—	—	—	—	—	—	—
5 Ton MS	7-3/4	7	7	8	7	8-1/2	9-1/2	7	8-1/2	9-1/2	8	8-1/2	9-1/2	8	10	11	9	10	11	—	—	—	—	—	—
10 Ton MS	9	7-1/4	8-1/2	9-3/4	7-1/4	8-1/2	9-1/2	7-1/4	9-1/2	10-3/4	8-1/2	9-1/2	10-3/4	8-1/2	9-1/2	10-3/4	9-1/2	10-1/2	11-3/4	10-1/2	11-1/2	12-3/4	11-1/2	12-1/2	13-3/4
15 Ton MS	9	8	8-1/2	9-3/4	8	10	11-1/4	8	10	11-1/4	9	10	11-1/4	9	10	11-1/4	11	12	12-1/4	11	12	13-1/4	12	13	14-1/4
20 Ton MS	9	9-1/4	10	11-1/2	9-1/4	11	12-1/2	9-1/4	11	12-1/2	10-1/2	12	13-1/2	10-1/2	12	13-1/2	11-1/2	13	14-1/2	12-1/2	14	15-1/2	13-1/2	15	16-1/2
25 Ton MS	10-3/4	11	12	13-3/4	11	12	13-3/4	11	13-1/4	15	12	13-1/4	15	12	14-1/2	16-1/4	13	15-3/4	17-1/2	14	15-3/4	17-1/2	15	16-3/4	18-1/2
30 Ton MS	10-3/4	11	12	13-3/4	11	12	13-3/4	11	13-1/4	15	12	13-1/4	15	12	14-1/2	16-1/4	13	15-3/4	17-1/2	14	15-3/4	17-1/2	15	16-3/4	18-1/2
35 Ton MS	11	12	13	15	12	13	—	12	13	15	12	13-3/4	15-3/4	12	13-3/4	15-3/4	12-7/8	14-3/4	13-3/4	15-1/2	17-1/2	14-3/4	16-1/2	18-1/2	18-1/2
50 Ton MS	14-1/2	13	15	17-1/2	13	16	18-1/2	13	16	18-1/2	14	16	18-1/2	14	17	19-1/2	15	18	20-1/2	16	18	20-1/2	17	19	21-1/2
75 Ton MS	16-1/2	17-1/2	19	21-1/2	17-1/2	19	21-1/2	17-1/2	19	21-1/2	17-1/2	19	21-1/2	17-1/2	19	21-1/2	18-1/2	20	20-1/2	19-1/2	21	23-1/2	20-1/2	22	24-1/2
100 Ton MS	11-1/4	24	24	25	24	24	25	24	24	25	24	24	25	24-1/2	24-1/2	25-1/2	25	25-1/2	26-1/2	26	26-1/2	27-1/2	27	27-1/2	28-1/2
150 Ton MS	12-1/4	24	24	25	24	24	25	24	24	25	24	24	25	24-1/2	24-3/8	25-3/8	25	25-1/8	26-1/8	26	26-7/8	26-7/8	27	26-5/8	27-5/8
250 Ton MS	16	30	—	—	30	—	—	30	—	—	30-1/2	—	—	30-1/2	—	—	30-1/2	—	—	30-1/2	—	—	32	—	—

Ball Screw Closed Heights - Upright																									
Actuator Capacity	Boot O.D.	Raise up to 12"			Raise 12" to 18"			Raise 18" to 24"			Raise 24" to 30"			Raise 30" to 36"			Raise 36" to 48"			Raise 48" to 60"			Raise 60" to 72"		
		A	B	C	A	B	C	A	B	C	A	B	C	A	B	C	A	B	C	A	B	C	A	B	C
1/2 Ton BS	4-1/2	—	—	5	—	—	—	—	—	—	—	—	—	—	—	—	—	—	—	—	—	—	—	—	—
1 Ton BS	4-1/4	—	—	6-1/4	—	—	6-7/8	—	—	7-1/2	—	—	8	—	—	—	—	—	—	—	—	—	—	—	—
2 Ton BS	6-5/8	—	—	7-1/2	—	—	7-1/2	—	—	7-1/2	—	—	8-1/2	—	—	—	—	—	—	—	—	—	—	—	—
3 Ton BS	6-5/8	—	—	9-1/4	—	—	9-1/4	—	—	9-1/4	—	—	10-1/4	—	—	10-1/4	—	—	11-1/4	—	—	—	—	—	—
5 Ton BS	7-1/2	—	—	10-3/4	—	—	10-3/4	—	—	10-3/4	—	—	12-1/2	—	—	12-1/2	—	—	13-3/4	—	—	—	—	—	—
10 Ton BS	7	—	—	10-3/8	—	—	10-3/8	—	—	10-3/8	—	—	11-5/8	—	—	11-5/8	—	—	12-7/8	—	—	—	—	—	—
20 Ton BS	9	—	—	16-1/2	—	—	16-1/2	—	—	16-1/2	—	—	16-1/2	—	—	16-1/2	—	—	18-1/2	—	—	20-1/2	—	—	21-1/2
25 Ton BS	11	—	—	19-3/4	—	—	19-3/4	—	—	19-3/4	—	—	19-3/4	—	—	21-1/4	—	—	21-1/4	—	—	22-3/4	—	—	24-1/4
50 Ton BS	12	—	—	25-3/8	—	—	25-3/8	—	—	25-3/8	—	—	25-3/8	—	—	26-3/8	—	—	26-3/8	—	—	27-3/8	—	—	28-3/8

Note:(—) indicates "Not Applicable"