

# ROTARY UNION



PRODUCT BULLETIN

## DNCHP & DNCHPR SERIES



Your **First** Choice  
For Fluid Transfer Solutions

# ROTARY UNION

## DNCHP & DNCHPR SERIES

### The Duff-Norton DNCHP Series Rotary Union

Specifically designed to respond to the extreme conditions encountered in construction and farming applications. Both DNCHP and DNCHPR Series offer high performance in terms of weight, torque, and reliability in these applications. Its simple design, using nickel plated carbon steel for corrosion resistance, prevents high pressure hoses from twisting in any weather or temperature conditions.

#### Product Features

- Robust and compact
- Extra long life
- Lubricated bushing technology
- Anti-corrosion coating
- PTFE/FPM rotary seal
- Maintenance free
- Low torque

#### Applications

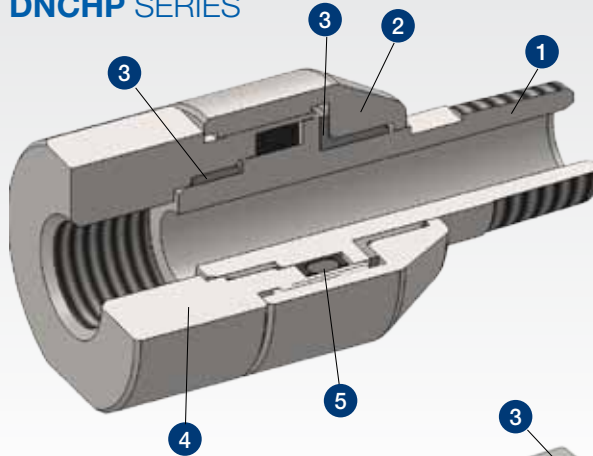
- Construction vehicles
- Farm equipment
- Other mobile hydraulic systems



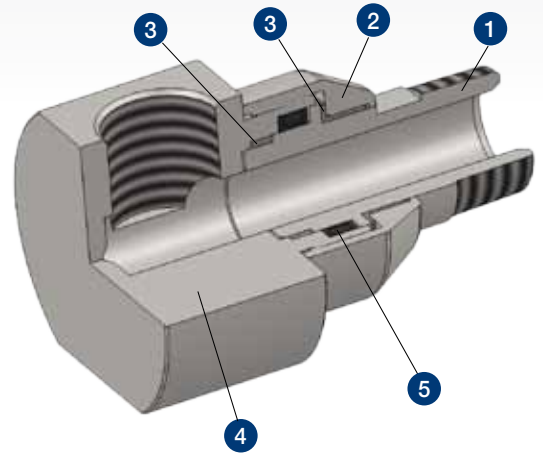
9415 Pioneer Ave. • Charlotte, NC 28273  
 Phone: (704) 588-4610 • (800) 477-5002  
 Fax: (704) 588-1994  
 Email: [Duffnorton@cmworks.com](mailto:Duffnorton@cmworks.com)

[www.duffnorton.com](http://www.duffnorton.com)

#### DNCHP SERIES



#### DNCHPR SERIES



- 1 Rotor: Carbon Steel
- 2 Housing: Carbon Steel
- 3 Bushings: Composite
- 4 Seal Holder: Carbon Steel
- 5 Rotary Seal: PTFE & FKM

#### Part Numbers and Dimensions

Thread Size		Part Numbers		Dimensions: in. (cm)			Min. Order Quantity
		NPT	BSP	Nominal Diameter	Overall Length	Outside Diameter	
1/4"	Axial	192042754	192042764	0.31 (0.8)	2.3 (5.9)	1.1 (2.9)	10
	Radial	192042755	192042765	0.31 (0.8)	2.7 (6.8)	1.5 (3.9)	
3/8"	Axial	192042756	192042766	0.39 (1.0)	2.5 (6.3)	1.3 (3.4)	10
	Radial	192042757	192042767	0.39 (1.0)	2.9 (7.3)	1.7 (4.3)	
1/2"	Axial	192042758	192042768	0.51 (1.3)	2.8 (7.2)	1.6 (4.0)	10
	Radial	192042759	192042769	0.51 (1.3)	3.3 (8.3)	2.2 (5.6)	
3/4"	Axial	192042760	192042770	0.71 (1.8)	2.9 (7.5)	1.9 (4.7)	6
	Radial	192042761	192042771	0.71 (1.8)	3.6 (9.2)	2.5 (6.3)	
1"	Axial	192042762	192042772	0.94 (2.4)	3.5 (9.0)	2.3 (5.9)	6
	Radial	192042763	192042773	0.94 (2.4)	4.4 (11.2)	3.0 (7.7)	

#### Operating Parameters

SPEED	TEMPERATURE	PRESSURE
Swivel Only	300°F (150°C)	5076 psi (350 bars)
MEDIA	MATERIAL	SIZES
Hydraulic Fluid Only	Nickel Plated Carbon Steel	1/4 to 1 inch NPT