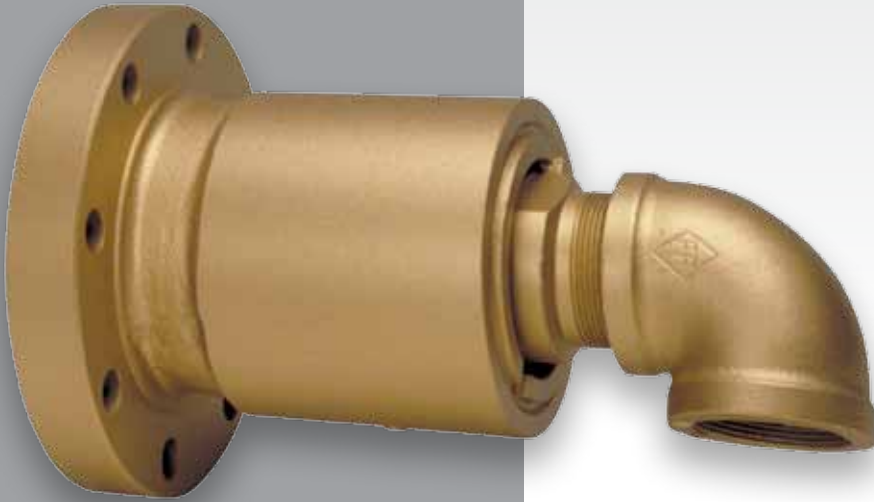


ROTARY UNION

9000G SERIES

WATER, STEAM & HOT OIL
HIGH TEMPERATURE



**MODELS
ADDED**

Operating Parameters	
MEDIA	
Water, Steam, Hot Oil	
PRESSURE*	
250 psi (Water), 175 psi (Steam), 100 psi (Hot Oil)	
TEMPERATURE*	
600° F (Hot Oil), 378° F (Steam)	
SPEED*	
700 RPM	
THREADS	
<ul style="list-style-type: none"> • 1/4 Inch to 3 Inch NPT • BSP Threads Available • Flange 	
MATERIAL	
<ul style="list-style-type: none"> • Cast Iron Housing with Stainless Steel or Plated Sleeve • Steel Shaft 	
CONFIGURATION OPTIONS	
Mono Flow and Dual Flow Configurations Available	

* See Performance Charts For Details

FEATURES & BENEFITS

Superior Sealing Performance

- Bellows Sealing System provides superior sealing performance throughout the wear life of the Rotary Union.

Designed For Dirty Media Applications

- Debris in contaminated media will not be captured in the Bellows Sealing System, which reduces clogging.

Maintenance Free

- The 9000G is maintenance free because there is no rolling element bearing, therefore no lubrication is required.

High Temperature Applications

- Offers the same design as the standard 9000 Series, but utilizes carbon graphite bearings for high temperature applications.

Ideal For High Temperatures

- The thrust collar allows for thermal expansion, making this an ideal union for high temperature, general purpose applications.

Flanged Mounted Units Available

- Consult Factory.

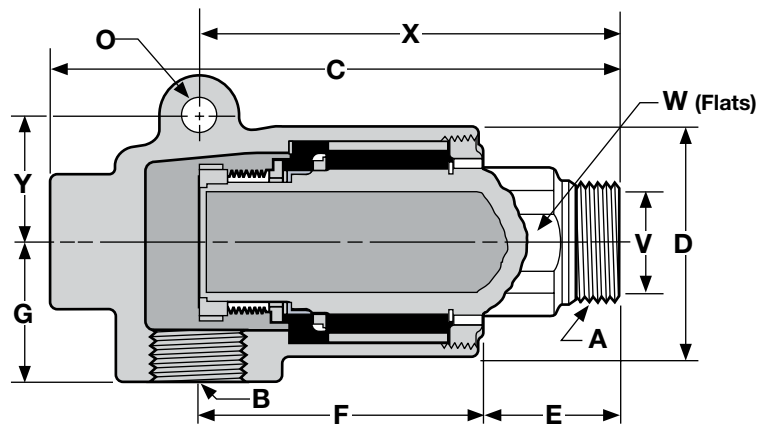
Part Numbers - 9000G Series High Temperature Rotary Unions • Mono Flow

Nominal Pipe Size	Shaft Thread (A)	Right Hand Thread			Left Hand Thread		
		Part Number	Description	Repair Cartridge	Part Number	Description	Repair Cartridge
1/4	1/4	480630C	R050P	481323C	480629C	L050P	481322C
3/8	3/8	480632C	R150P	481325C	480631C	L150P	481324C
1/2	1/2	480198C	R250P	481204C	480197C	L250P	481203C
3/4	3/4	480247C	R350P	481208C	480246C	L350P	481207C
1	1	430111C	R450P-8	471882C	430110C	L450P-8	471881C
1-1/4	1-1/4	440581C	R9550P	471665C	440580C	L9550P	471664C
1-1/2	1-1/2	440165C	R9650P	471575C	440164C	L9650P	471576C
2	2	440469C	R9750P	471716C	440468C	L9750P	471715C
2-1/2	2-1/2	440577C	R9850P	471718C	440576C	L9850P	471717C
3	3	440505C	R9950P	471720C	440504C	L9950P	471719C

Part Numbers - 9000G Series High Temperature Rotary Unions • Dual Flow

Nominal Pipe Size	Shaft Thread (A)	Right Hand Thread			Left Hand Thread		
		Part Number	Description	Repair Cartridge	Part Number	Description	Repair Cartridge
1/2	1/2	480204C	R250S	481204C	480203C	L250S	481203C
3/4	3/4	480253C	R350S	481208C	480252C	L350S	481207C
1	1	430113C	R450S-8	471882C	430112C	L450S-8	471881C
1-1/4	1-1/4	440583C	R9550S	471665C	440582C	L9550S	471664C
1-1/2	1-1/2	440167C	R9650S	471575C	440166C	L9650S	471576C
2	2	440471C	R9750S	471716C	440470C	L9750S	471715C
2-1/2	2-1/2	440579C	R9850S	471718C	440578C	L9850S	471717C
3	3	440507C	R9950S	471720C	440506C	L9950S	471719C

Mono Flow



Dimensions - 9000G Series High Temperature Rotary Unions • Mono Flow (Inch)

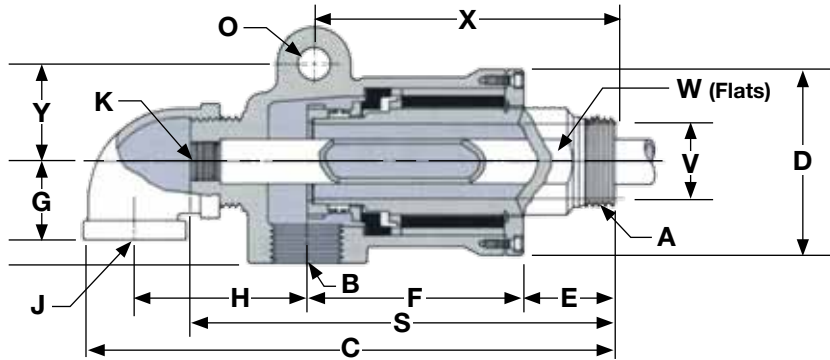
Nominal Pipe Size	Shaft Thread (A)	Right Hand Thread			Left Hand Thread			Inlet Thread (B)	C	D	E	F	G	O	V	W	X	Y
		Part Number	Description	Repair Cartridge	Part Number	Description	Repair Cartridge											
1/4	1/4	480630C	R050P	481323C	480629C	L050P	481322C	1/4	4-3/8	1-3/4	1-1/8	2-9/16	1-1/16	—	1/4	5/8	—	—
3/8	3/8	480632C	R150P	481325C	480631C	L150P	481324C	3/8	4-3/8	1-3/4	1-1/8	2-9/16	1-1/16	—	3/8	11/16	—	—
1/2	1/2	480198C	R250P	481204C	480197C	L250P	481203C	1/2	5	2-3/8	1-1/2	2-3/4	1-1/4	—	1/2	15/16	—	—
3/4	3/4	480247C	R350P	481208C	480246C	L350P	481207C	3/4	5-1/2	2-1/2	1-5/8	3	1-7/16	—	3/4	1-3/32	—	—
1	1	430111C	R450P-8	471882C	430110C	L450P-8	471881C	1	6-1/8	3	1-3/4	3-3/8	1-3/4	—	1	1-11/32	—	—
1-1/4	1-1/4	440581C	R9550P	471665C	440580C	L9550P	471664C	1-1/4	9-1/16	3-3/4	2-1/16	4-13/16	2-3/16	5/8	1-1/4	1-11/32	6-7/8	2
1-1/2	1-1/2	440165C	R9650P	471575C	440164C	L9650P	471576C	1-1/2	9-11/16	4-1/8	2-3/16	5-1/4	2-3/16	5/8	1-1/2	1-15/16	7-3/8	2-1/4
2	2	440469C	R9750P	471716C	440468C	L9750P	471715C	2	11-3/4	5-7/8	2-7/16	6-7/16	2-5/8	5/8	2	2-9/16	8-9/16	2-3/4
2-1/2	2-1/2	440577C	R9850P	471718C	440576C	L9850P	471717C	2-1/2	15-3/8	7-1/8	3-1/2	7-3/16	3-3/8	—	2-1/2	3	—	—
3	3	440505C	R9950P	471720C	440504C	L9950P	471719C	3	15-3/4	7-1/8	3-7/8	8-5/16	3-7/8	—	3	3-5/8	—	—

ROTARY UNION

9000G SERIES

WATER, STEAM & HOT OIL HIGH TEMPERATURE

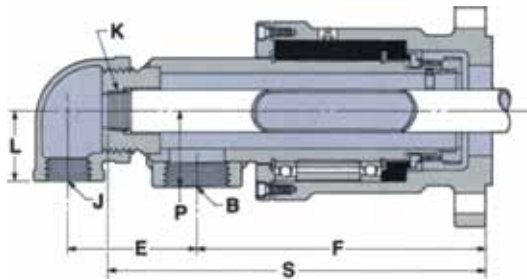
Dual Flow



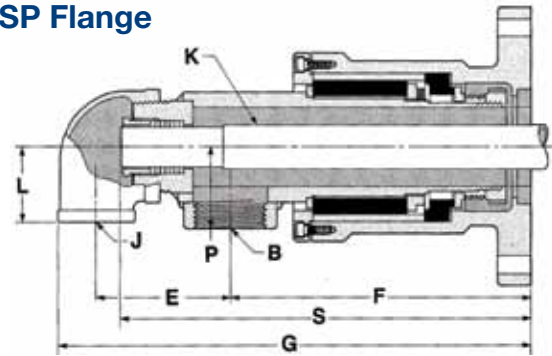
Dimensions - 9000G Series High Temperature Rotary Unions • Dual Flow (Inch)

Nominal Pipe Size	Shaft Thread (A)	Inlet (B)	Outlet (J)	Siphon K (NPSM)	C	D	E	F	G	H	O	S	V	W	X	Y
1/2	1/2	1/2	1/2	1/8	7-1/4	2-3/8	1-1/2	2-3/4	1-1/4	2-1/8	—	6	1/2	15/16	—	—
3/4	3/4	3/4	1/2	1/4	7-3/4	2-1/2	1-5/8	3	1-7/16	2-3/8	—	6-3/8	3/4	1-3/32	—	—
1	1	1	1/2	3/8	8-1/2	3	1-3/4	3-3/8	1-3/4	2-5/8	—	7-1/8	1	1-11/32	—	—
1-1/4	1-1/4	1-1/4	1/2	1/2	10-5/8	3-3/4	2-1/8	4-13/16	2	3	5/8	8-7/8	1-1/4	1-11/16	6-7/8	2
1-1/2	1-1/2	1-1/2	3/4	3/4	11-3/8	4-1/8	2-3/16	5-1/4	2-3/16	3-1/4	5/8	9-9/16	1-1/2	1-15/16	7-3/8	2-1/4
2	2	2	1	3/4	13-7/8	5	2-7/16	6-1/2	2-5/8	4-1/16	5/8	11-1/2	2	2-9/16	8-9/16	2-3/4
2-1/2	2-1/2	2	1-1/4	1	16-7/8	6-1/2	3-1/2	7-1/4	3-3/8	5	—	14	2-1/2	3	—	—
3	3	2-1/2	1-1/4	1-1/4	18-3/4	7-1/8	3-1/2	8-5/16	3-7/8	5-1/2	—	15-5/8	3	3-5/8	—	—

Dual Flow Flange



RSP Flange



Dimensions - 9000G Series High Temperature Rotary Unions • Dual Flow • Flange (Inch)

Shaft ID (A)	Part Number	Description	Repair Cartridge	Shaft ID (A)	Inlet B (NPT)	Outlet J (NPT)	Siphon Tap K (NPSM)	E	F	S	L	P
1-1/4	Consult Factory	580S-2-U	Consult Factory	1-1/4	1	1/2	1/2	2-3/4	7-1/16	8-7/8	1-5/8	1-5/8
1-1/2		680S-2-U		1-1/2	1-1/4	3/4	3/4	3-3/8	7-11/16	9-15/16	1-13/16	1-7/8
2		780S-2-U		2	1-1/2	1	3/4	3-13/16	9-1/16	11-1/2	2-1/16	2-5/16
2-1/2		880S-2-U		2-1/2	2	1-1/4	1	4-3/4	10-5/16	13-9/16	2-5/8	2-5/8
3		980S-2-U		3	2-1/2	1-1/4	1-1/4	5-1/4	11-7/8	15-1/2	2-7/8	3-1/16
4	1080S-1-U	4	Consult Factory			—	—	—	—	—	—	
5	1180S-1-U	5	Consult Factory			—	—	—	—	—	—	

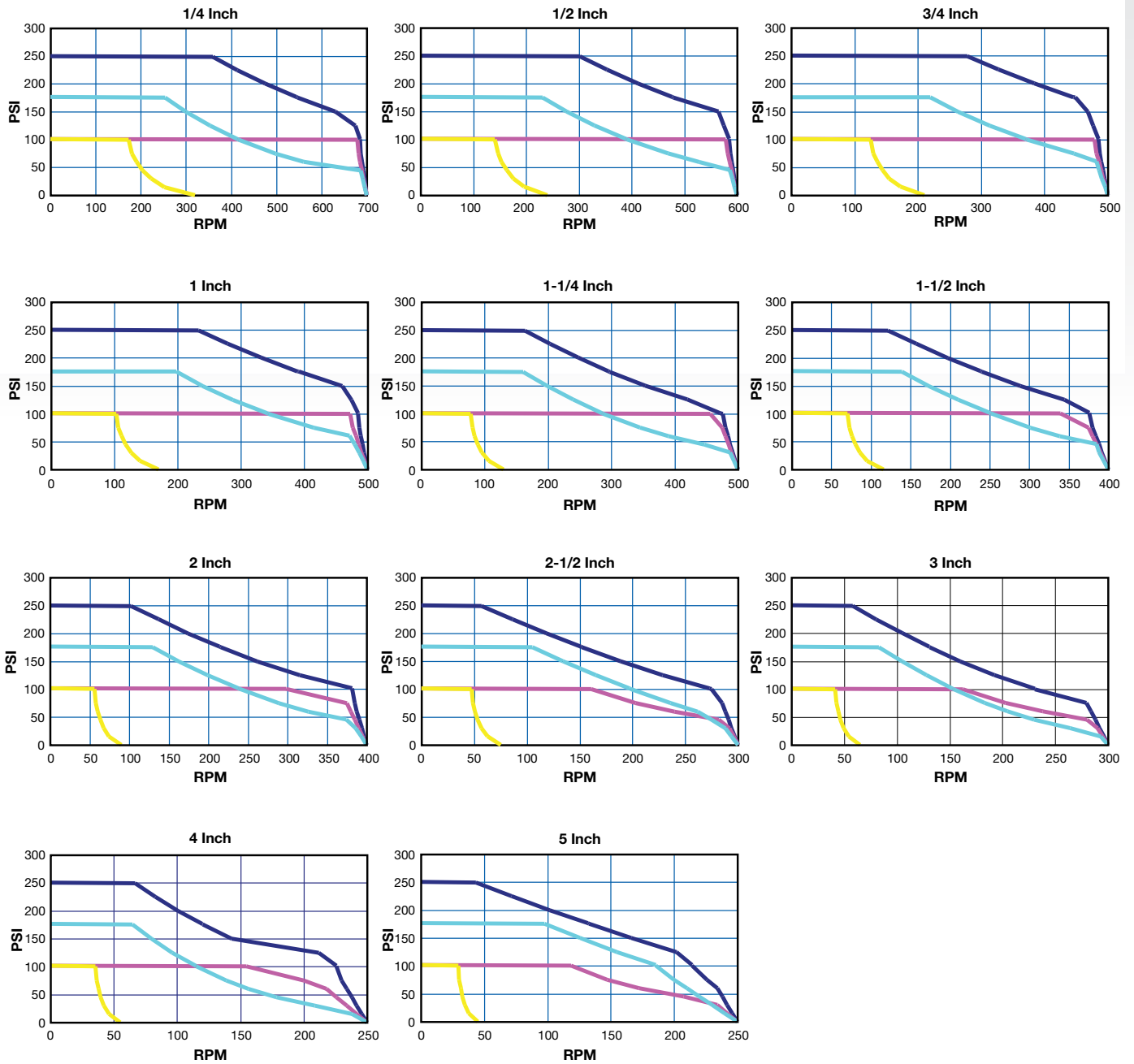
Models Added

Dimensions - 9000G Series High Temp. Rotary Unions • Rotating Siphon Pipe • Flange (In)

Shaft ID	Part Number	Description	Repair Cartridge	Shaft ID	Inlet B (NPT)	Outlet J (NPT)	Siphon Size K (NPSM)	Max. Siphon Size	E	F	G	L	P	S
1-1/4	Consult Factory	588-20-U	Consult Factory	1-1/4	1	1/2	1/2	1/2	2-3/4	7-1/16	10-7/16	1-5/8	1-5/8	9-1/2
1-1/2		688-30-U		1-1/2	1-1/4	3/4	3/4	3/4	3-3/8	7-11/16	11-13/16	1-13/16	1-7/8	10-3/4
2		788-30-U		2	1-1/2	1	3/4	1	3-13/16	9-1/16	13-3/4	2-1/16	2-5/16	12-1/4
2-1/2		888-40-U		2-1/2	2	1-1/4	1	1-1/2	4-3/4	10-5/16	16-1/2	2-5/8	2-5/8	14-1/4
3		988-50-U		3	2-1/2	1-1/4	1-1/4	2	5-1/4	11-7/8	18-3/16	2-7/8	3-1/16	16-1/4
4	Consult Factory	4	Consult Factory			—	—	2-1/2	—	—	—	—		
5	Consult Factory	5	Consult Factory			—	—	3	—	—	—	—		

Models Added

Performance Charts



■ Steam
 ■ Water
 ■ Hot Oil
 ■ Air