

# SERIES XLT

565 to 1015 lbs (2513 to 4515 N)

VOLTAGE:	12 or 24 VDC
DESIGN:	Ball screw
STROKES:	2 to 11.8 in (50 to 300 mm)
TEMPERATURE RANGE:	-13°F to 150°F (-25°C to 65°C)
ENVIRONMENT:	IP66S protection standard



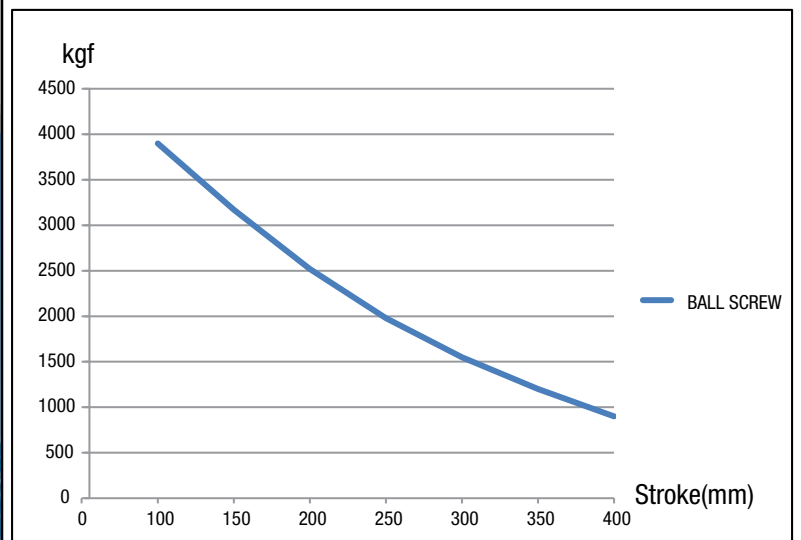
## FEATURES & BENEFITS

- Suitable for heavy-duty applications
- Durable design promotes long product life
- IP66S protection is suitable for harsh environments, including outdoor applications
- Internal, factory preset limit switches
- Keyed translating tube to prevent rotation
- Overload clutch

## OPTIONS

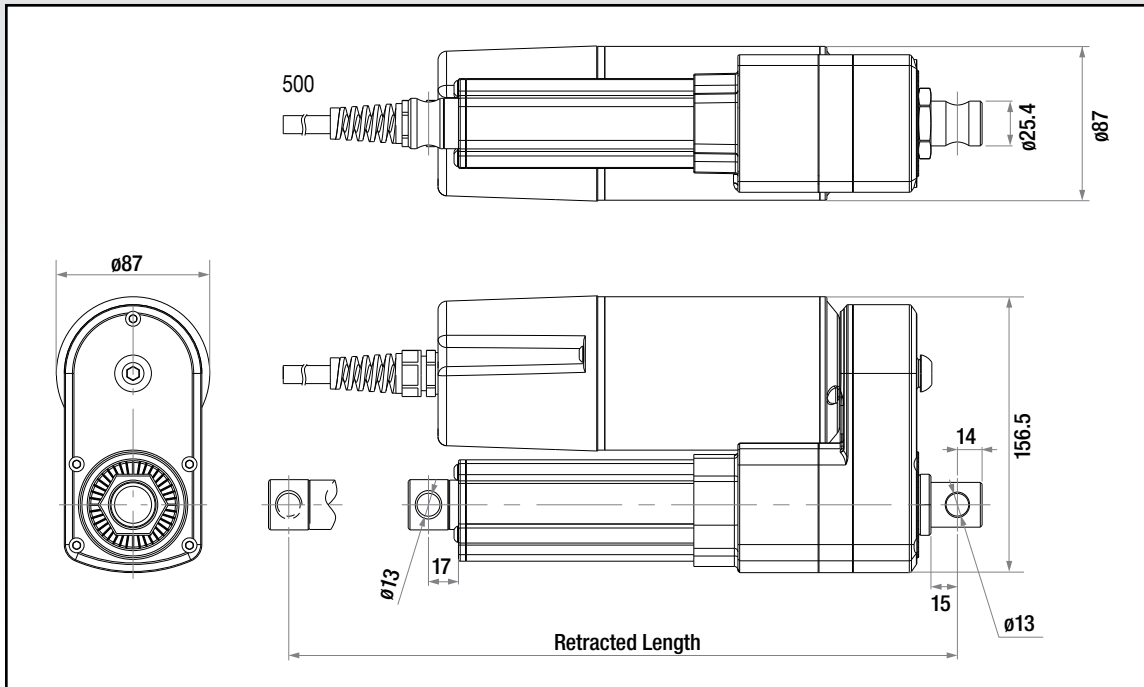
- Potentiometer or Hall effect sensor
- Stainless steel translating tube
- Custom cable lengths

XLT SERIES STATIC LOAD



Stroke (mm)	0	100	150	200	250	300	350	400
BALL SCREW	X	3900	3170	2520	1980	1550	1200	900

# XLT SERIES DIMENSIONS



## PRODUCT INFORMATION

	Part Number	Rated Load		Stroke Length		Retracted Length		Voltage (VDC)	Current Draw at Rated Load (A)	Speed at Rated Load		Limit Switch	Duty Cycle at Rated Load
		lbs	N	in	mm	in	mm			in/s	mm/s		
<b>BALL SCREW MODELS</b>													
XLT500-1-50	192025418	565	2513	1.97	50	9.88	251	12	25.0	1.89	48	Yes	20%
XLT500-2-50	192025436							24	12.5				
XLT500-1-100	192025419			3.94	100	11.85	301	12	25.0				
XLT500-2-100	192025437							24	12.5				
XLT500-1-150	192025420			5.91	150	13.82	351	12	25.0				
XLT500-2-150	192025438							24	12.5				
XLT500-1-200	192025421			7.87	200	15.79	401	12	25.0				
XLT500-2-200	192025439							24	12.5				
XLT500-1-250	192025422			9.84	250	17.76	451	12	25.0				
XLT500-2-250	192025440							24	12.5				
XLT500-1-300	192025423			11.81	300	19.72	501	12	25.0				
XLT500-2-300	192025441							24	12.5				
XLT700-1-50	192025424	790	3514	1.97	50	9.88	251	12	18.0	1.00	25	Yes	20%
XLT700-2-50	192025442							24	9.0				
XLT700-1-100	192025425			3.94	100	11.85	301	12	18.0				
XLT700-2-100	192025443							24	9.0				
XLT700-1-150	192025426			5.91	150	13.82	351	12	18.0				
XLT700-2-150	192025444							24	9.0				
XLT700-1-200	192025427			7.87	200	15.79	401	12	18.0				
XLT700-2-200	192025445							24	9.0				
XLT700-1-250	192025428			9.84	250	17.76	451	12	18.0				
XLT700-2-250	192025446							24	9.0				
XLT700-1-300	192025429			11.81	300	19.72	501	12	18.0				
XLT700-2-300	192025447							24	9.0				
XLT1000-1-50	192025430	1015	4515	1.97	50	9.88	251	12	13.0	0.55	14	Yes	20%
XLT1000-2-50	192025448							24	6.5				
XLT1000-1-100	192025431			3.94	100	11.85	301	12	13.0				
XLT1000-2-100	192025449							24	6.5				
XLT1000-1-150	192025432			5.91	150	13.82	351	12	13.0				
XLT1000-2-150	192025450							24	6.5				
XLT1000-1-200	192025433			7.87	200	15.79	401	12	13.0				
XLT1000-2-200	192025451							24	6.5				
XLT1000-1-250	192025434			9.84	250	17.76	451	12	13.0				
XLT1000-2-250	192025452							24	6.5				
XLT1000-1-300	192025435			11.81	300	19.72	501	12	13.0				
XLT1000-2-300	192025453							24	6.5				

Contact factory for potentiometer models