

SERIES TAL

1000 lbs (2224 N)



TUBE RESTRAINING TORQUE:	80 in-lbf (9 Nm)
DESIGN:	Acme screw
TEMPERATURE RANGE:	-20°F to 120°F (-29°C to 50°C) (Special low temperature grease available)
ENVIRONMENT:	IP50 protection standard

FEATURES & BENEFITS

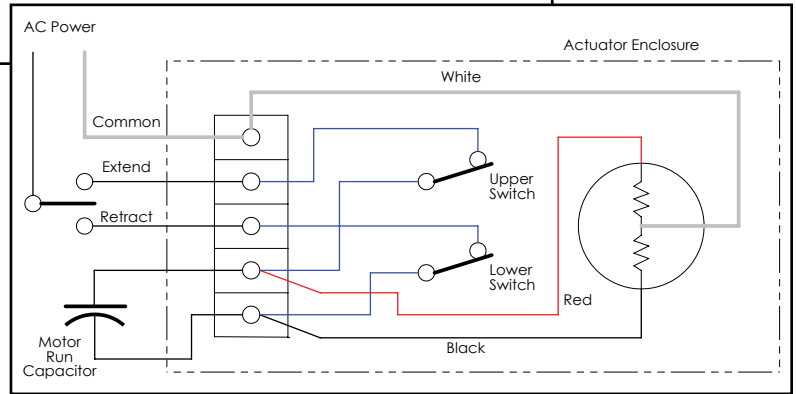
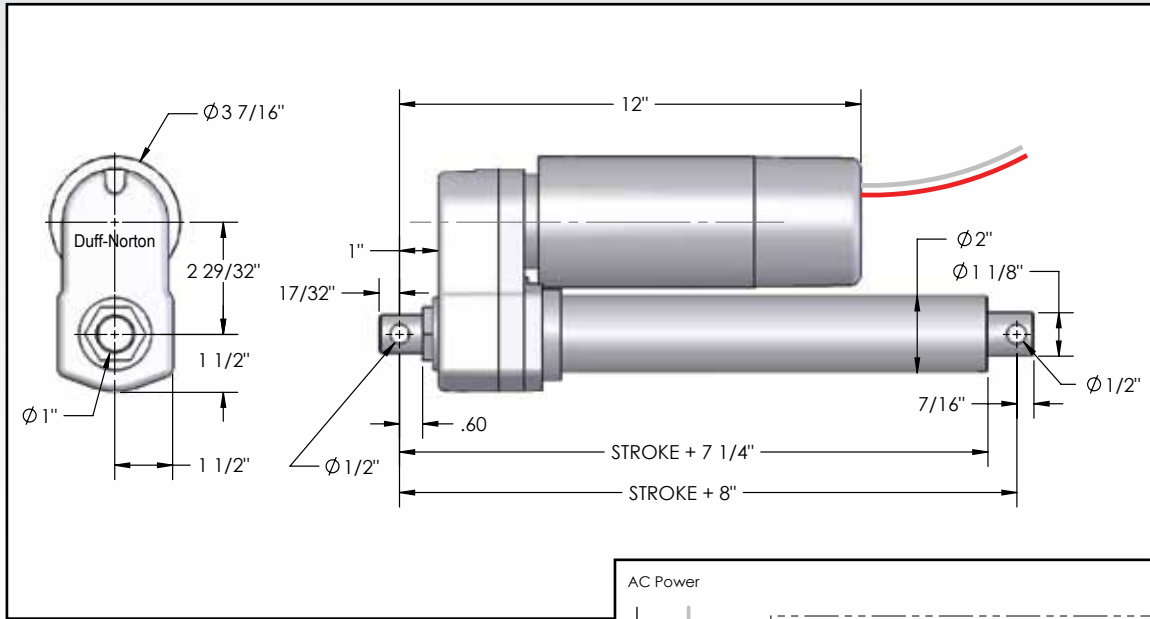
- Heavy duty design for long life in tough applications
- Adjustable limit switches on motor end save space
- Aluminum housing and outer tube
- Stainless steel translating tube
- Double clevis mounting
- Automatic reset thermal overload motor protection

OPTIONS

- Potentiometer feedback (replaces limit switches)
- Capacitor (see table on next page)
- Bellows boot



DIMENSIONS



PRODUCT INFORMATION

Part Number	Rated Load		Stroke Length		Retracted Length		Voltage	Current Draw at Rated Load (A)	Speed at Rated Load		Limit Switch	Duty Cycle at Rated Load	Shipping Weight	
	lbs	N	in	mm	in	mm			in/s	mm/s			lbs	kg
TAL10-1A20-4	1000	4448	4	102	12	305	115 VAC (60 HZ)	4	0.43	10	Yes	17.5%	19	8.6
TAL10-1A20-8			8	203	16	406							21	9.5
TAL10-1A20-12			12	305	20	508							21	9.5
TAL10-1A20-18			18	407	24	610							22	10.0
TAL10-2A20-4	1000	4448	4	102	12	305	220 / 230 VAC (50 / 60 HZ)	2.0 / 2.5	0.45/ 0.37	11/ 9	Yes	17% (14%)	19	8.6
TAL10-2A20-8			8	203	16	406							21	9.5
TAL10-2A20-12			12	305	20	508							21	9.5
TAL10-2A20-18			18	407	24	610							22	10.0

Clutch models are available upon request

Note: A capacitor is required for all AC volt motors. Recommended part SK6405-7-15 (50 MFD) 115 VAC and SK6405-7-14 (15 MFD) 230 VAC