

# SERIES

## TAC

500 lbs (2224 N)



TUBE RESTRAINING TORQUE:	40 in-lbf (4.5 Nm)
DESIGN:	Acme screw
TEMPERATURE RANGE:	-20°F to 120°F (-29°C to 50°C) (Special low temperature grease available)
ENVIRONMENT:	IP50 protection standard

### FEATURES & BENEFITS

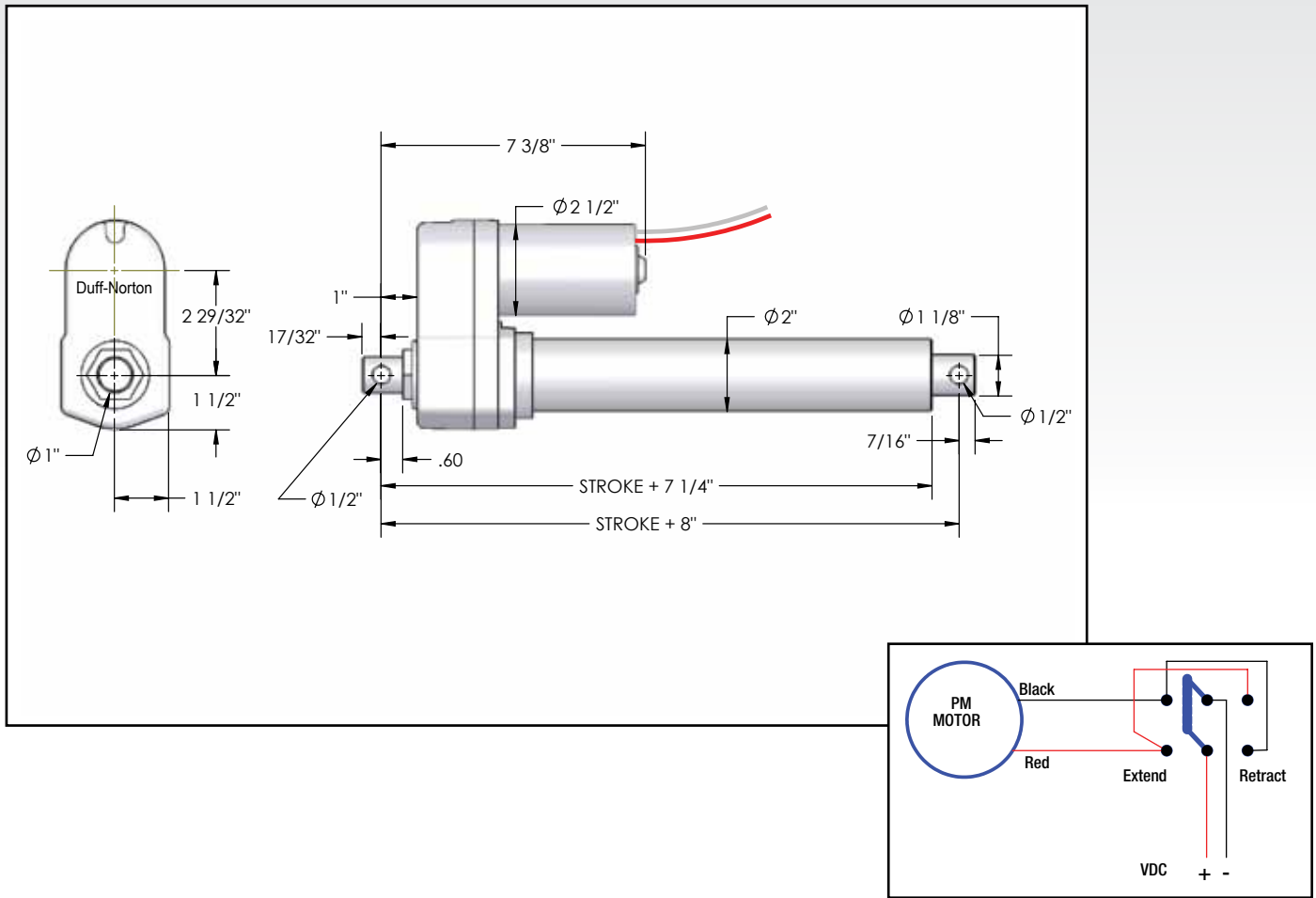
- Heavy duty design for long life in tough applications
- Aluminum housing and outer tube
- Stainless steel translating tube
- Double clevis mounting
- Load limiting ball detent clutch
- Automatic reset thermal overload motor protection

### OPTIONS

- Bellows boot



## DIMENSIONS



## PRODUCT INFORMATION

Part Number	Rated Load		Stroke Length		Retracted Length		Voltage	Current Draw at Rated Load (A)	Speed at Rated Load		Limit Switch	Clutch	Duty Cycle at Rated Load	Shipping Weight	
	lbs	N	in	mm	in	mm			in/s	mm/s				lbs	kg
TAC05-1D20-4	500	2224	4	102	12	305	12 VDC	10	0.45	11	No	Yes	40%	15	6.8
TAC05-1D20-8			8	203	16	406								16	7.3
TAC05-1D20-12			12	305	20	508								17	7.7
TAC05-1D20-18			18	457	26	660								18	8.2
TAC05-2D20-4	500	2224	4	102	12	305	24 VDC	5	0.45	11	No	Yes	40%	15	6.8
TAC05-2D20-8			8	203	16	406								16	7.3
TAC05-2D20-12			12	305	20	508								17	7.7
TAC05-2D20-18			18	457	26	660								18	8.2