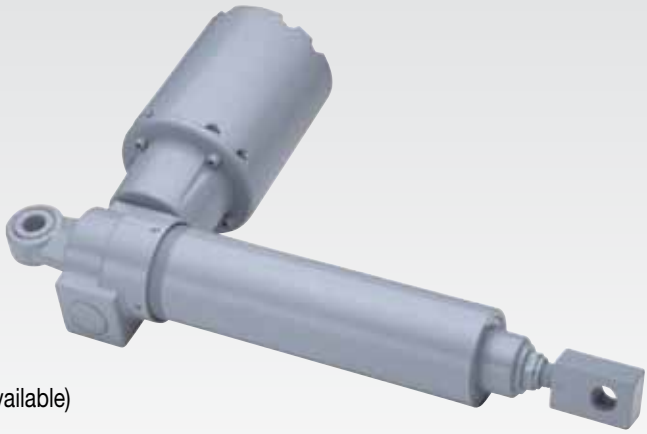


# SERIES

## SPB

500 lbs (2224 N)



TUBE RESTRAINING TORQUE:	60 in-lbf (6.7 Nm)
DESIGN:	Acme screw
TEMPERATURE RANGE:	-20°F to 120°F (-29°C to 50°C) (Special low temperature grease available)
ENVIRONMENT:	IP50 protection standard (IP52 optional)

### FEATURES & BENEFITS

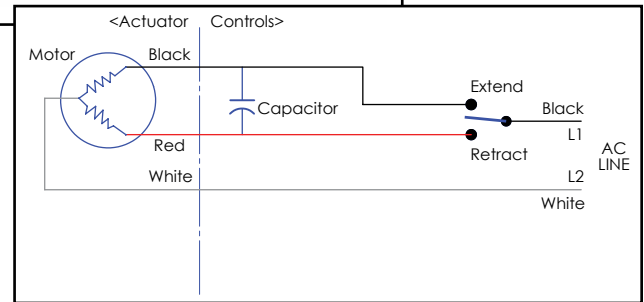
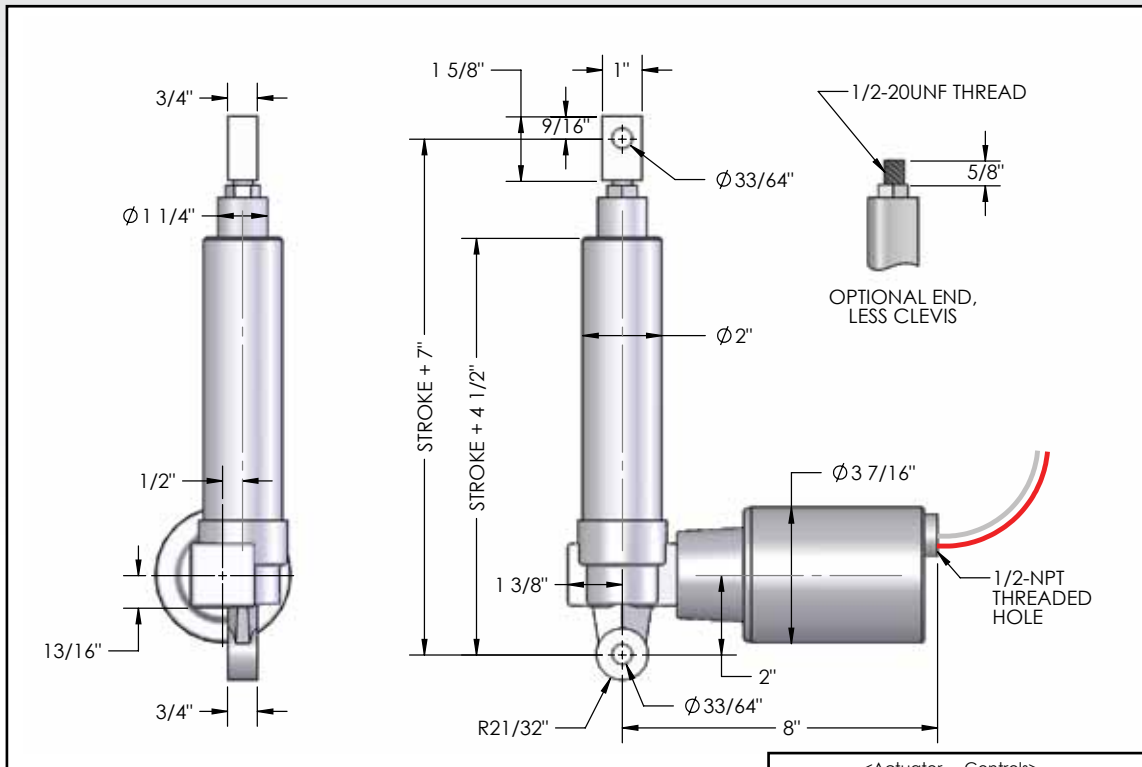
- Heavy duty design for long life in tough applications
- Patented spring brake
- Aluminum housing and outer tube
- Steel translating tube – zinc chromate plated
- Double clevis mounting
- Load limiting friction disc clutch
- Automatic reset thermal overload motor protection

### OPTIONS

- Capacitor (see table on next page)
- Weather resistant sealant – IP52 (add “W” prefix)
- Bellows boot
- Threaded end (add “T” prefix)



## DIMENSIONS



## PRODUCT INFORMATION

Part Number	Rated Load		Stroke Length		Retracted Length		Voltage	Current Draw at Rated Load (A)	Speed at Rated Load		Clutch	High Speed Motor	Duty Cycle at Rated Load	Shipping Weight	
	lbs	N	in	mm	in	mm			in/s	mm/s				lbs	kg
SPB6405-3	500	2224	3	76	10	254	115 VAC (60 Hz)	2.1	0.58	15	Yes	No	23%	10	4.5
SPB6405-6			6	152.4	13	330								12	5.4
SPB6405-12			12	304.8	19	483								14	6.4
SPB6405-18			18	457.2	25	635								17	7.7
SPB7405-3	500	2224	3	76	10	254	220 VAC (50 Hz)	1	0.51	13	Yes	No	24%	10	4.5
SPB7405-6			6	152.4	13	330								12	5.4
SPB7405-12			12	304.8	19	483								14	6.4
SPB7405-18			18	457.2	25	635								17	7.7
HSPB6405-3	500	2224	3	76	10	254	115 VAC (60 Hz)	5.5	1.3	33	Yes	Yes	11%	10	4.5
HSPB6405-6			6	152.4	13	330								12	5.4
HSPB6405-12			12	304.8	19	483								14	6.4
HSPB6405-18			18	457.2	25	635								17	7.7

Note: A capacitor is required for all AC volt motors