

SERIES

SPA

2000 lbs (6672 N)



TUBE RESTRAINING TORQUE:	180 in-lbf (20.3 Nm)
DESIGN:	Ball screw
TEMPERATURE RANGE:	15°F to 120°F (-10°C to 50°C)
ENVIRONMENT:	IP50 protection standard (IP52 optional)

FEATURES & BENEFITS

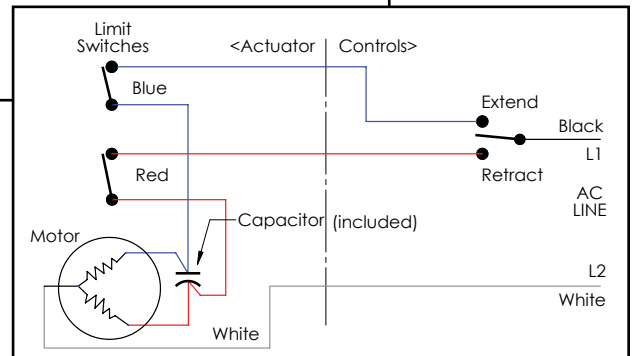
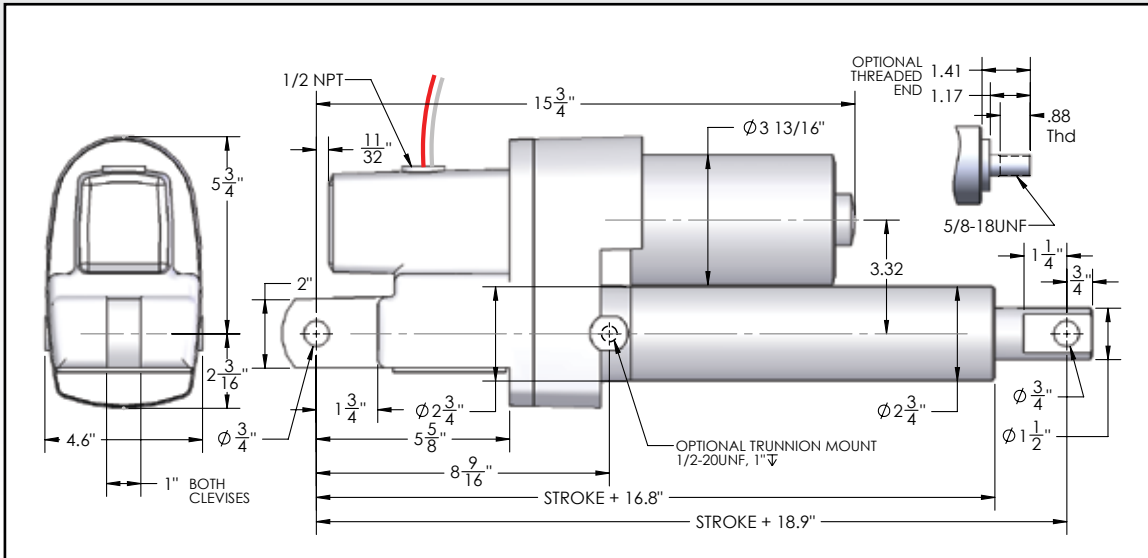
- Heavy duty design for long life in tough applications
- Built in capacitor included
- Automatic set spring brake
- Aluminum housing and outer tube
- Steel translating tube – zinc chromate plated
- Double clevis mounting
- Internal adjustable limit switches

OPTIONS

- Weather resistant sealant – IP52 (add “W” prefix)
- Bellows boot
- Trunnion mounting (add “R” prefix)
- Potentiometer feedback
- Threaded end (add “T” prefix)



DIMENSIONS



PRODUCT INFORMATION

Part Number	Rated Load		Stroke Length		Retracted Length		Voltage	Current Draw at Rated Load (A)	Speed at Rated Load		Limit Switch	Duty Cycle at Rated Load	Shipping Weight	
	lbs	N	in	mm	in	mm			in/s	mm/s			lbs	kg
SPA6420-3	2000	8896	3	76	21.9	556	115 VAC (60 Hz)	5.1	0.86	22	Yes	18%	31	14.1
SPA6420-6			6	152	24.9	632							33	15.0
SPA6420-12			12	305	30.9	785							35	15.9
SPA6420-18			18	457	36.9	937							37	16.8
SPA6420-24			24	610	42.9	1090							39	17.7
PSPA6420-3	2000	8896	3	76	21.9	556	115 VAC (60 Hz)	5.1	0.86	22	Yes	18%	31	14.1
PSPA6420-6			6	152	24.9	632							33	15.0
PSPA6420-12			12	305	30.9	785							35	15.9
PSPA6420-18			18	457	36.9	937							37	16.8
PSPA6420-24			24	610	42.9	1090							39	17.7
SPA7420-3	2000	8896	3	76	21.9	556	220 VAC (50 Hz)	2	0.68	17	Yes	25%	31	14.1
SPA7420-6			6	152	24.9	632							33	15.0
SPA7420-12			12	305	30.9	785							35	15.9
SPA7420-18			18	457	36.9	937							37	16.8
SPA7420-24			24	610	42.9	1090							39	17.7

Contact factory for potentiometer models

Note: SPA models are supplied complete with capacitor unless otherwise specified