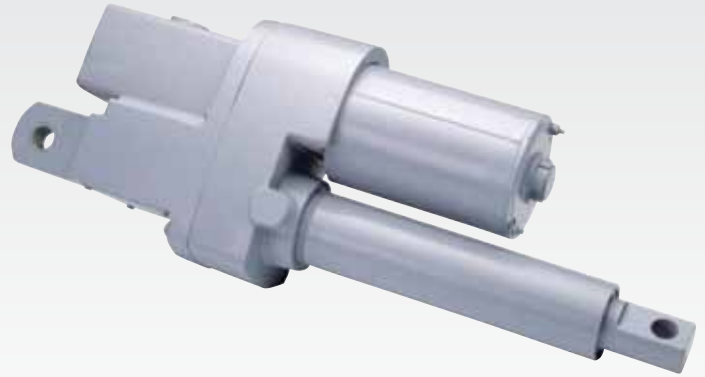


SERIES

SPA

1500 lbs (6672 N)

TUBE RESTRAINING TORQUE:	215 in-lbf (24.2 Nm)
DESIGN:	Acme screw
TEMPERATURE RANGE:	15°F to 120°F (-10°C to 50°C)
ENVIRONMENT:	IP50 protection standard



FEATURES & BENEFITS

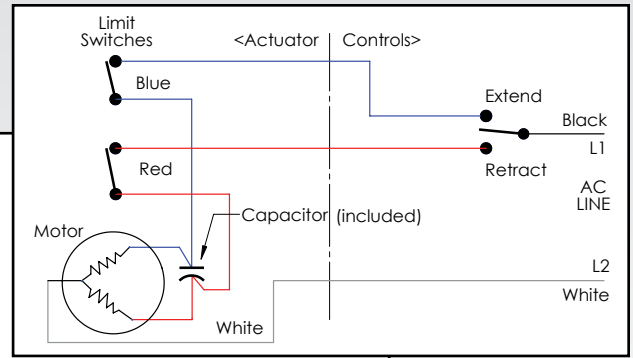
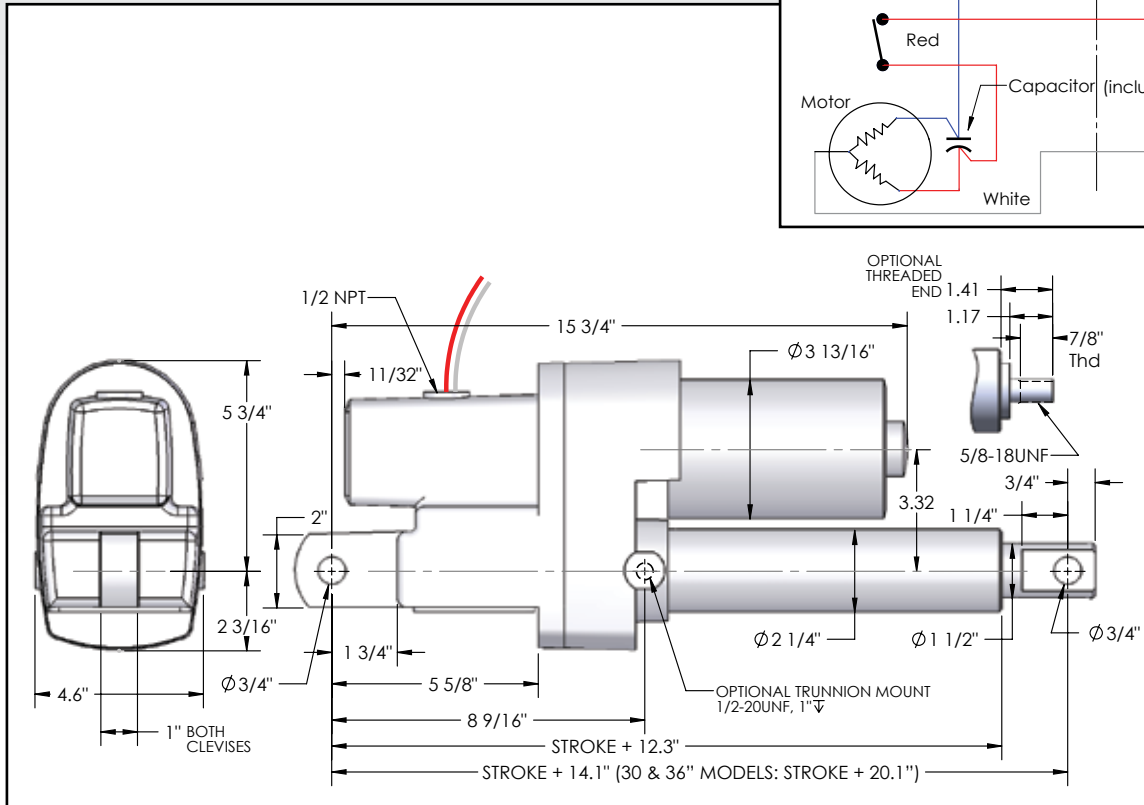
- Heavy duty design for long life in tough applications
- Built in capacitor included
- Bi-directional spring brake
- Aluminum housing and outer tube
- Steel translating tube – zinc chromate plated
- Double clevis mounting
- Internal adjustable limit switches
- Automatic reset thermal overload motor protection

OPTIONS

- Potentiometer (add “P” prefix)
- Weather resistant sealant – IP52 (add “W” prefix)
- Bellows boot
- Trunnion mounting (add “R” prefix)
- Threaded end (add “T” prefix)



DIMENSIONS



PRODUCT INFORMATION

Part Number	Rated Load		Stroke Length		Retracted Length		Voltage	Current Draw at Rated Load (A)	Speed at Rated Load		Limit Switch	Potentiometer	Duty Cycle at Rated Load	Shipping Weight	
	lbs	N	in	mm	in	mm			in/s	mm/s				lbs	kg
SPA6415-3	1500	6672	3	76	17.1	434.3	115 VAC (60 Hz)	6.5	0.83	21	Yes	No	17%	31	14.1
SPA6415-6			6	152	20.1	510.5								33	15.0
SPA6415-12			12	305	26.1	662.9								35	15.9
SPA6415-18			18	457	32.1	815.3								37	16.8
SPA6415-24			24	610	38.1	967.7								39	17.7
SPA6415-30			30	762	50.1	1273								41	18.6
SPA6415-36	36	915	56.1	1425	41	18.6									
PSPA6415-3	1500	6672	3	76	17.1	434.3	115 VAC (60 Hz)	6.5	0.83	21	Yes	Yes	17%	31	14.1
PSPA6415-6			6	152	20.1	510.5								33	15.0
PSPA6415-12			12	305	26.1	662.9								35	15.9
PSPA6415-18			18	457	32.1	815.3					37			16.8	
PSPA6415-24			24	610	38.1	967.7					39			17.7	
PSPA6415-30*			30	762	50.1	1273					41			18.6	
PSPA6415-36*	36	915	56.1	1425	41	18.6									
SPA7415-3	1500	6672	3	76	17.1	434.3	220 VAC (50 Hz)	2	0.68	17	Yes	No	25%	31	14.1
SPA7415-6			6	152	20.1	510.5								33	15.0
SPA7415-12			12	305	26.1	662.9								35	15.9
SPA7415-18			18	457	32.1	815.3								37	16.8
SPA7415-24			24	610	38.1	967.7								39	17.7
SPA7415-30			30	762	50.1	1273								41	18.6
SPA7415-36	36	915	56.1	1425	41	18.6									
PSPA7415-3	1500	6672	3	76	17.1	434.3	220 VAC (50 Hz)	2	0.68	17	Yes	Yes	25%	31	14.1
PSPA7415-6			6	152	20.1	510.5								33	15.0
PSPA7415-12			12	305	26.1	662.9								35	15.9
PSPA7415-18			18	457	32.1	815.3					37			16.8	
PSPA7415-24			24	610	38.1	967.7					39			17.7	
PSPA7415-30*			30	762	50.1	1273					41			18.6	
PSPA7415-36*	36	915	56.1	1425	41	18.6									

Note: SPA models are supplied complete with capacitor unless otherwise specified
 *30" and 36" models only: if potentiometer option is selected, unit will not include limit switches