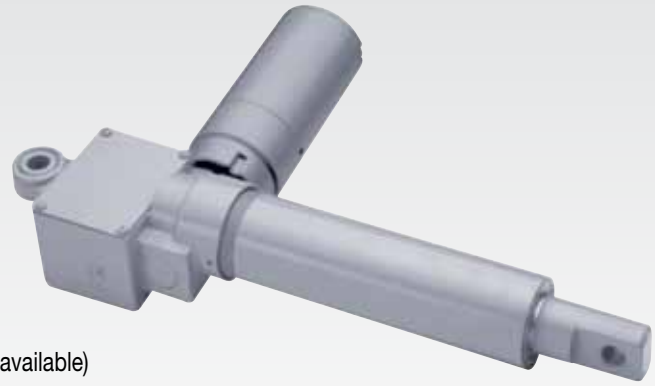


# SERIES

## MPD

500 lbs (2224 N)



TUBE RESTRAINING TORQUE:	60 in-lbf (6.7 Nm)
DESIGN:	Acme screw
TEMPERATURE RANGE:	-20°F to 120°F (-29°C to 50°C) (Special low temperature grease available)
ENVIRONMENT:	IP50 protection standard (IP52 optional)

### FEATURES & BENEFITS

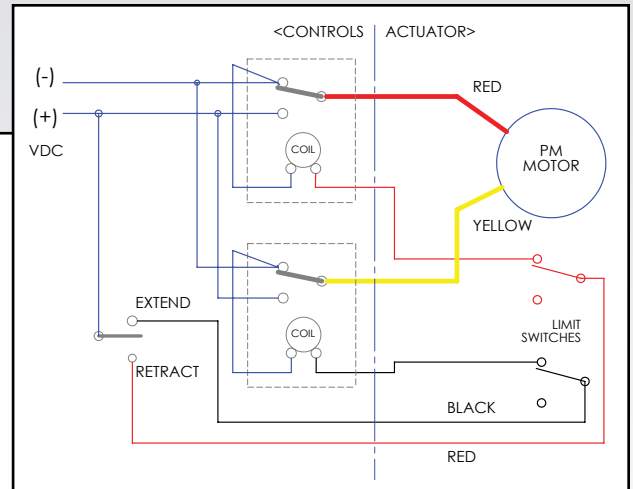
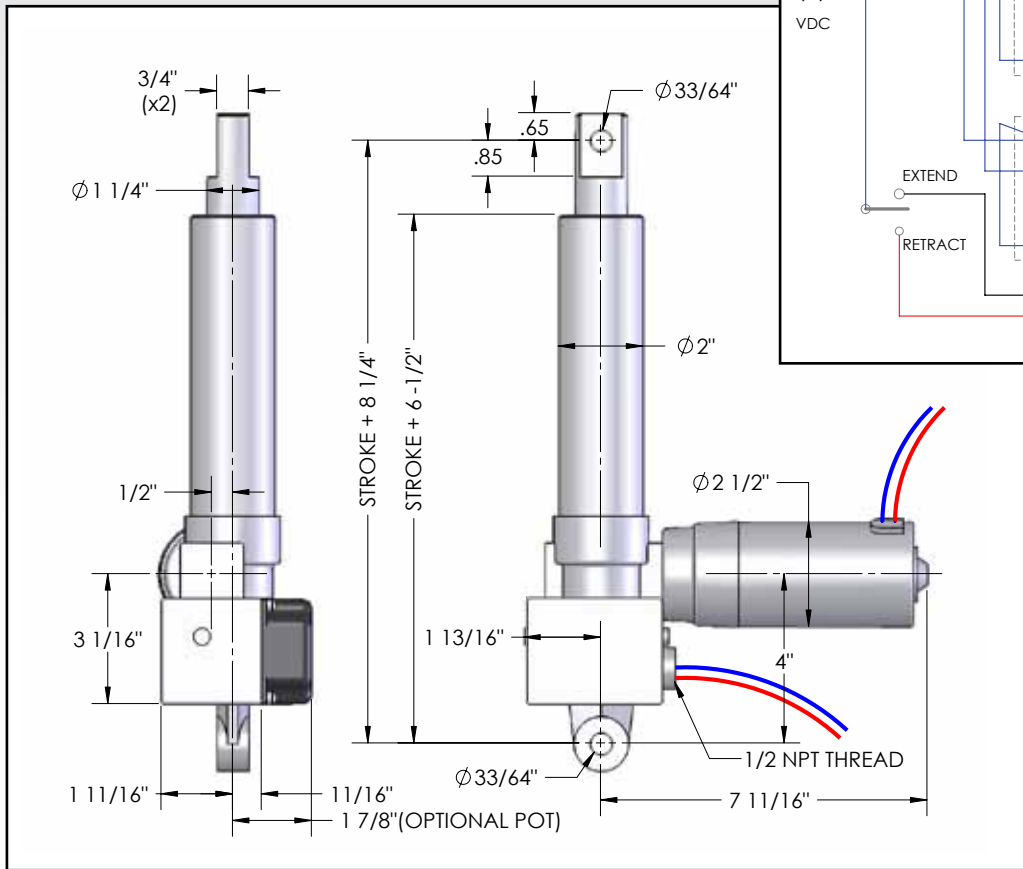
- Heavy duty design for long life in tough applications
- Patented spring brake
- Aluminum housing and outer tube
- Steel translating tube – zinc chromate plated
- Double clevis mounting
- Internal adjustable limit switches
- Automatic reset thermal overload motor protection

### OPTIONS

- Weather resistant sealant – IP52 (add “W” prefix)
- Potentiometer feedback (add “P” prefix)
- Bellows boot
- Threaded end (add “T” prefix)



## DIMENSIONS



NOTE: (2) relays are required for DC models with limit switch

## PRODUCT INFORMATION

Part Number	Rated Load		Stroke Length		Retracted Length		Voltage	Current Draw at Rated Load (A)	Speed at Rated Load		Limit Switch	Duty Cycle at Rated Load	Shipping Weight	
	lbs	N	in	mm	in	mm			in/s	mm/s			lbs	kg
<b>MPD LINEAR ACTUATOR WITH LIMIT SWITCH</b>														
MPD6905-3	500	2224	3	76	11.25	286	12 VDC	23	0.75	19	Yes	19%	13	5.9
MPD6905-6			6	152.4	14.25	362							15	6.8
MPD6905-12			12	304.8	20.25	514							18	8.2
MPD6905-18			18	457.2	26.25	667							20	9.1
MPD6904-3	500	2224	3	76	11.25	286	24 VDC	12	0.85	22	Yes	17%	13	5.9
MPD6904-6			6	152.4	14.25	362							15	6.8
MPD6904-12			12	304.8	20.25	514							18	8.2
MPD6904-18			18	457.2	26.25	667							20	9.1

