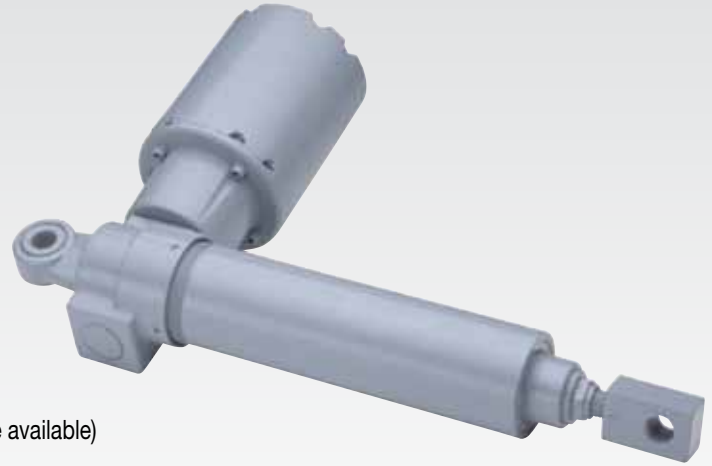


# SERIES

## HSPB

250 lbs (1112 N)



TUBE RESTRAINING TORQUE:	30 in-lbf (3.4 Nm)
DESIGN:	Acme screw
TEMPERATURE RANGE:	-20°F to 120°F (-29°C to 50°C) (Special low temperature grease available)
ENVIRONMENT:	IP50 protection standard (IP52 optional)

### FEATURES & BENEFITS

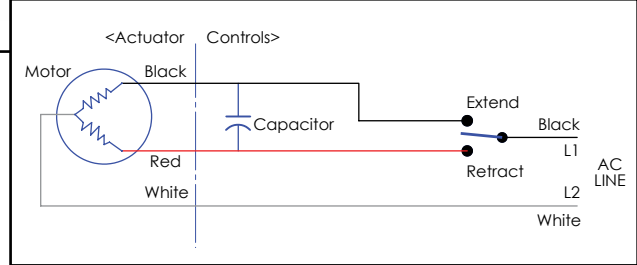
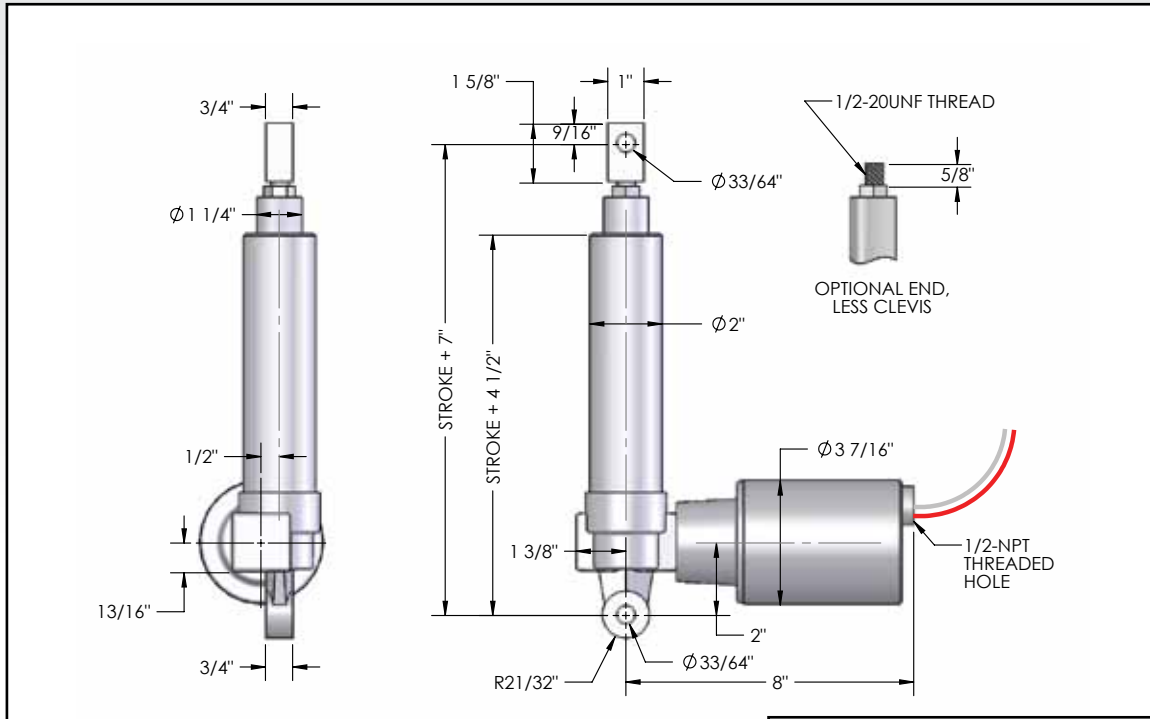
- Heavy duty design for long life in tough applications
- Aluminum housing and outer tube
- Steel translating tube – zinc chromate plated
- Double clevis mounting
- Bidirectional ball type brake
- Load limiting friction disc clutch
- Automatic reset thermal overload motor protection

### OPTIONS

- Weather resistant sealant – IP52 (add “W” prefix)
- Capacitor (see table on next page)
- Bellows boot
- Threaded end (add “T” prefix)



## DIMENSIONS



## PRODUCT INFORMATION

Part Number	Rated Load		Stroke Length		Retracted Length		Voltage	Current Draw at Rated Load (A)	Speed at Rated Load		Duty Cycle at Rated Load	Shipping Weight	
	lbs	N	in	mm	in	mm			in/s	mm/s		lbs	kg
SPB3405-3	250	1112	3	76	10	254	115 VAC (60 Hz)	1.9	0.7	18	24%	10	4.5
SPB3405-6			6	152	13	330						12	5.4
SPB3405-12			12	304	19	482						14	6.4
SPB3405-18			18	457	25	635						17	7.7
SPB4405-3	250	1112	3	76	10	254	220 VAC (50 Hz)	1	0.6	15	22%	10	4.5
SPB4405-6			6	152	13	330						12	5.4
SPB4405-12			12	304	19	482						14	6.4
SPB4405-18			18	457	25	635						17	7.7
HSPB3405-3	250	1112	3	76	10	254	115 VAC (60 Hz)	5.1	1.4	36	10%	10	4.5
HSPB3405-6			6	152	13	330						12	5.4
HSPB3405-12			12	304	19	482						14	6.4
HSPB3405-18			18	457	25	635						17	7.7

Note: A capacitor is required for all AC volt motors.