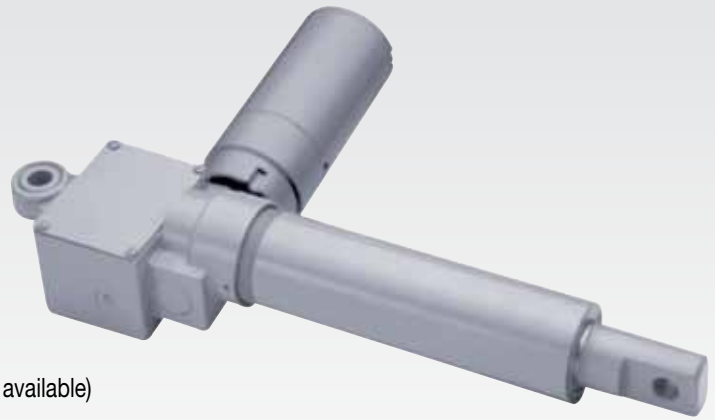


SERIES

HMPD with limit switch

250 lbs (1112 N)



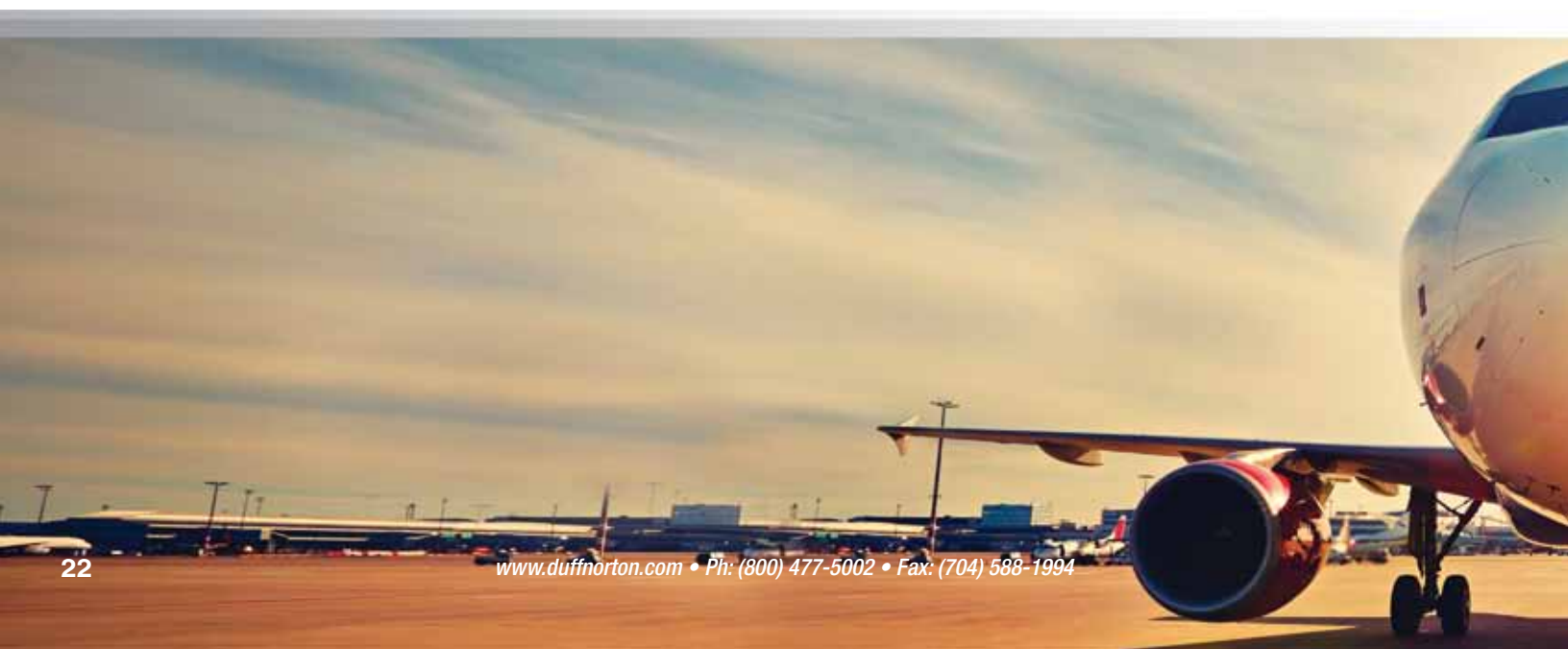
TUBE RESTRAINING TORQUE:	30 in-lbf (3.4 Nm)
DESIGN:	Acme screw
TEMPERATURE RANGE:	-20°F to 120°F (-29°C to 50°C) (Special low temperature grease available)
ENVIRONMENT:	IP50 protection standard (IP52 optional)

FEATURES & BENEFITS

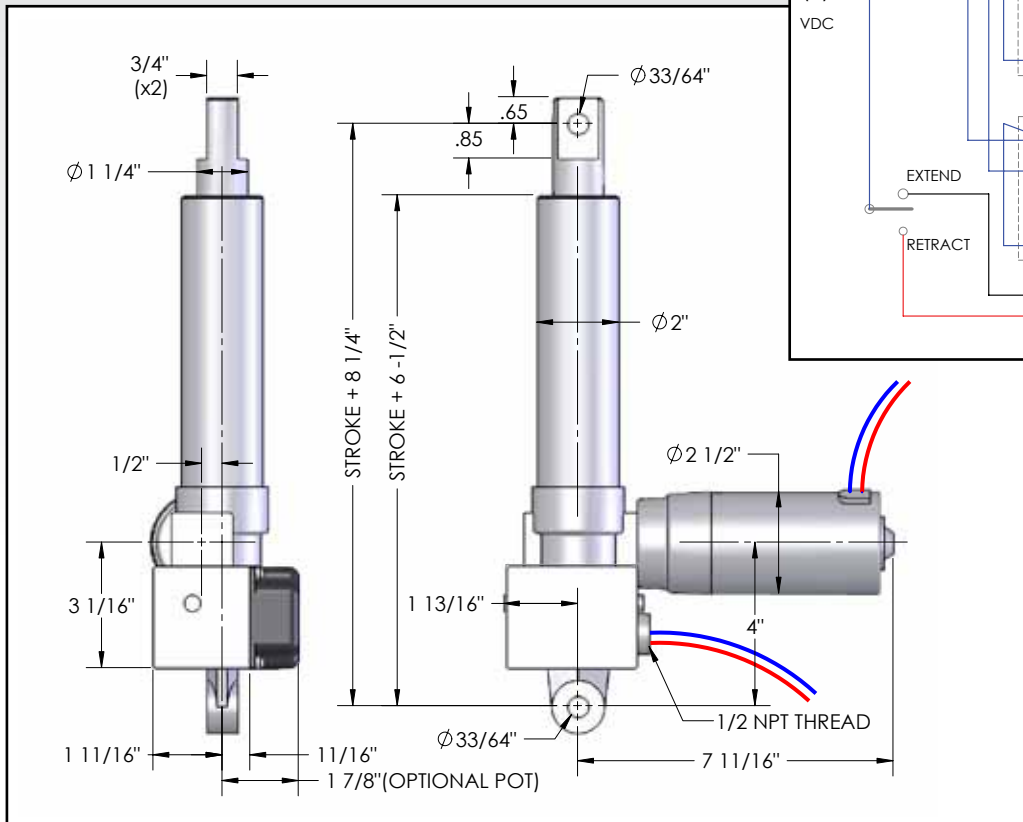
- Heavy duty design for long life in tough applications
- Aluminum housing and outer tube
- Steel translating tube – zinc chromate plated
- Double clevis mounting
- Spring brake
- Internal adjustable limit switches
- Automatic reset thermal overload motor protection

OPTIONS

- Weather resistant sealant – IP52 (add “W” prefix)
- Bellows boot
- Potentiometer feedback (add “P” prefix)



DIMENSIONS



NOTE: (2) relays are required for DC limit switch models

PRODUCT INFORMATION

Part Number	Rated Load		Stroke Length		Retracted Length		Voltage	Current Draw at Rated Load (A)	Speed at Rated Load		Limit Switch	Duty Cycle at Rated Load	Shipping Weight	
	lbs	N	in	mm	in	mm			in/s	mm/s			lbs	kg
MPD3905-3	250	1112	3	76	11.25	285	12 VDC	14	1	25	Yes	35%	10	4.5
MPD3905-6			6	152	14.25	362							12	5.4
MPD3905-12			12	304	20.25	514							14	6.4
MPD3905-18			18	457	26.25	666							17	7.7
MPD3904-3	250	1112	3	76	11.25	285	24 VDC	6	1.2	30	Yes	26%	10	4.5
MPD3904-6			6	152	14.25	362							12	5.4
MPD3904-12			12	304	20.25	514							14	6.4
MPD3904-18			18	457	26.25	666							17	7.7
HMPD3905-3	250	1112	3	76	11.25	285	12 VDC	28	2	50	Yes	15%	10	4.5
HMPD3905-6			6	152	14.25	362							12	5.4
HMPD3905-12			12	304	20.25	514							14	6.4
HMPD3905-18			18	457	26.25	666							17	7.7