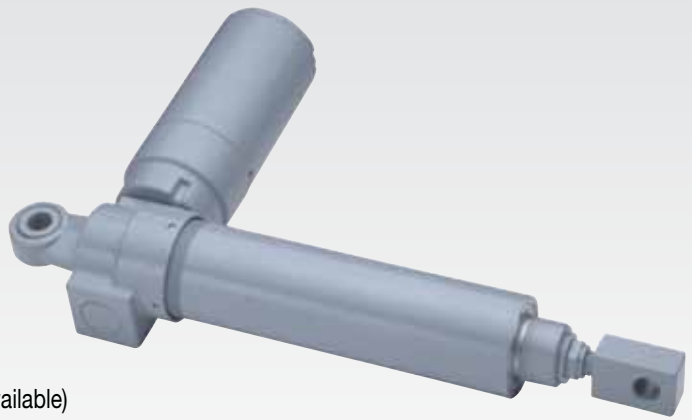


SERIES

HMPD with clutch

250 lbs (1112 N)



| | |
|--------------------------|--|
| TUBE RESTRAINING TORQUE: | 30 in-lbf (3.4 Nm) |
| DESIGN: | Acme screw |
| TEMPERATURE RANGE: | -20°F to 120°F (-29°C to 50°C) (Special low temperature grease available) |
| ENVIRONMENT: | IP50 protection standard (IP52 optional) |

FEATURES & BENEFITS

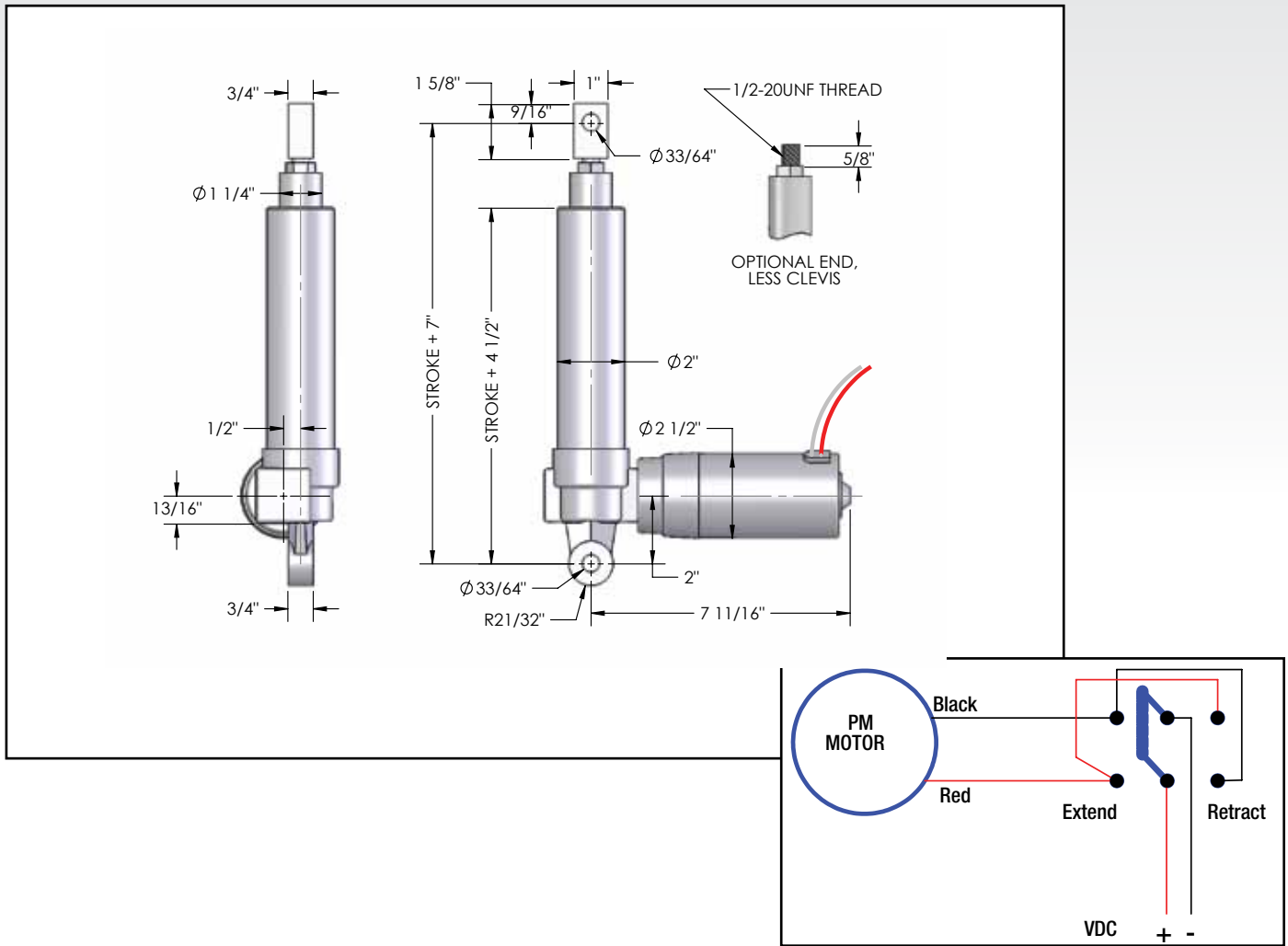
- Heavy duty design for long life in tough applications
- Aluminum housing and outer tube
- Steel translating tube – zinc chromate plated
- Double clevis mounting
- Patented spring brake
- Load limiting friction disc clutch
- Automatic reset thermal overload motor protection

OPTIONS

- Weather resistant sealant – IP52 (add “W” prefix)
- Bellows boot
- 90 degree housing clevis mounting
- Threaded end (add “T” prefix)



DIMENSIONS



PRODUCT INFORMATION

| Part Number | Rated Load | | Stroke Length | | Retracted Length | | Voltage | Current Draw at Rated Load (A) | Speed at Rated Load | | Duty Cycle at Rated Load | Shipping Weight | |
|-------------|------------|------|---------------|-----|------------------|-----|---------|--------------------------------|---------------------|------|--------------------------|-----------------|-----|
| | lbs | N | in | mm | in | mm | | | in/s | mm/s | | lbs | kg |
| MPD3405-3 | 250 | 1112 | 3 | 76 | 10 | 254 | 12 VDC | 14 | 1 | 25 | 21% | 8 | 3.6 |
| MPD3405-6 | | | 6 | 152 | 13 | 330 | | | | | | 10 | 4.5 |
| MPD3405-12 | | | 12 | 304 | 19 | 483 | | | | | | 12 | 5.4 |
| MPD3405-18 | | | 18 | 457 | 25 | 635 | | | | | | 15 | 6.8 |
| MPD3404-3 | 250 | 1112 | 3 | 76 | 10 | 254 | 12 VDC | 5 | 1 | 25 | 32% | 8 | 3.6 |
| MPD3404-6 | | | 6 | 152 | 13 | 330 | | | | | | 10 | 4.5 |
| MPD3404-12 | | | 12 | 304 | 19 | 483 | | | | | | 12 | 5.4 |
| MPD3404-18 | | | 18 | 457 | 25 | 635 | | | | | | 15 | 6.8 |
| HMPD3405-3 | 250 | 1112 | 3 | 76 | 10 | 254 | 12 VDC | 28 | 2 | 50 | 12% | 8 | 3.6 |
| HMPD3405-6 | | | 6 | 152 | 13 | 330 | | | | | | 10 | 4.5 |
| HMPD3405-12 | | | 12 | 304 | 19 | 483 | | | | | | 12 | 5.4 |
| HMPD3405-18 | | | 18 | 457 | 25 | 635 | | | | | | 15 | 6.8 |