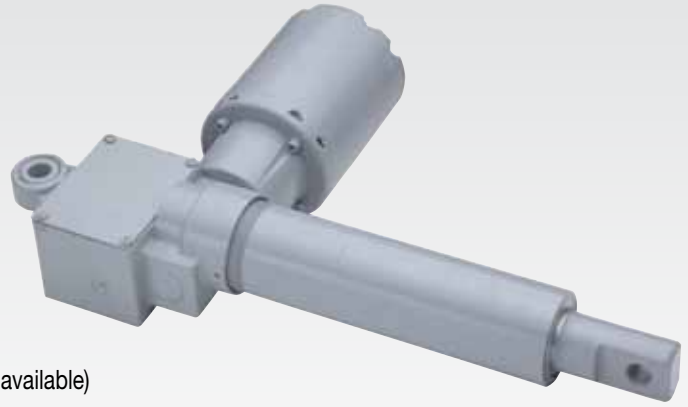


SERIES

HMPB

500 lbs (2224 N)



TUBE RESTRAINING TORQUE:	60 in-lbf (6.7 Nm)
DESIGN:	Acme screw
TEMPERATURE RANGE:	-20°F to 120°F (-29°C to 50°C) (Special low temperature grease available)
ENVIRONMENT:	IP50 protection standard (IP52 optional)

FEATURES & BENEFITS

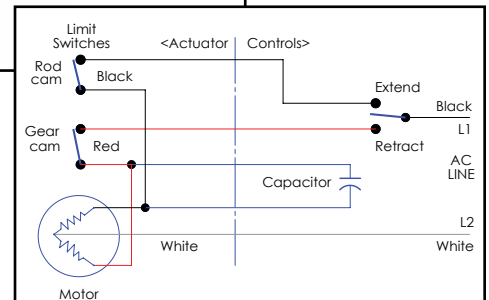
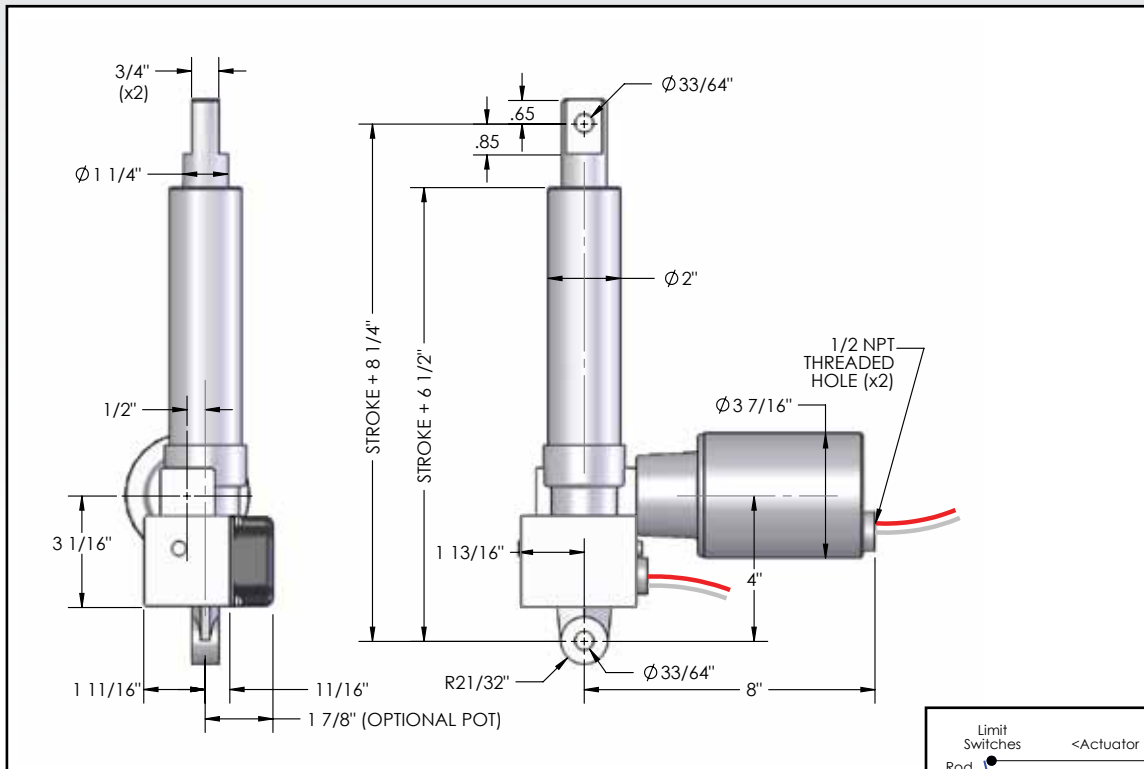
- Heavy duty design for long life in tough applications
- Patented spring brake
- Aluminum housing and outer tube
- Steel translating tube – zinc chromate plated
- Double clevis mounting
- Internal adjustable limit switches
- Automatic reset thermal overload motor protection

OPTIONS

- Potentiometer (add “P” prefix)
- Capacitor (see table on next page)
- Weather resistant sealant – IP52 (add “W” prefix)
- Bellows boot
- Threaded end (add “T” prefix)



DIMENSIONS



PRODUCT INFORMATION

Part Number	Rated Load		Stroke Length		Retracted Length		Voltage	Current Draw at Rated Load (A)	Speed at Rated Load		Limit Switch	Duty Cycle at Rated Load	Potentiometer	Shipping Weight	
	lbs	N	in	mm	in	mm			in/s	mm/s				lbs	kg
MPB6905-3	500	2224	3	76	11.25	286	115 VAC (60 Hz)	2.3	0.6	15	Yes	19%	No	11	5.0
MPB6905-6			6	152.4	14.25	362								13	5.9
MPB6905-12			12	304.8	20.25	514								16	7.3
MPB6905-18			18	457.2	26.25	667								18	8.2
MPB7905-3	500	2224	3	76	11.25	286	220 VAC (50 Hz)	1	0.6	15	Yes	22%	No	12	5.4
MPB7905-6			6	152.4	14.25	362								14	6.4
MPB7905-12			12	304.8	20.25	514								17	7.7
MPB7905-18			18	457.2	26.25	667								19	8.6
HMPB6905-3	500	2224	3	76	11.25	286	115 VAC (60 Hz)	5.5	1.33	34	Yes	11%	No	11	5.0
HMPB6905-6			6	152.4	14.25	362								13	5.9
HMPB6905-12			12	304.8	20.25	514								16	7.3
HMPB6905-18			18	457.2	26.25	667								18	8.2
PHMPB6905-3	500	2224	3	76	11.25	286	115 VAC (60 Hz)	5.5	1.33	34	Yes	11%	Yes	12	5.4
PHMPB6905-6			6	152.4	14.25	362								14	6.4
PHMPB6905-12			12	304.8	20.25	514								17	7.7
PHMPB6905-18			18	457.2	26.25	667								19	8.6

Note: A capacitor is required for all AC volt motors. Recommended part SK6405-7-1 (28-33 MFD) for MPB6905 Series, SK6405-7-10 (10 MFD) for MPB7905 Series and SK6405-7-3 (64-72 MFD) for HMPB6905 Series