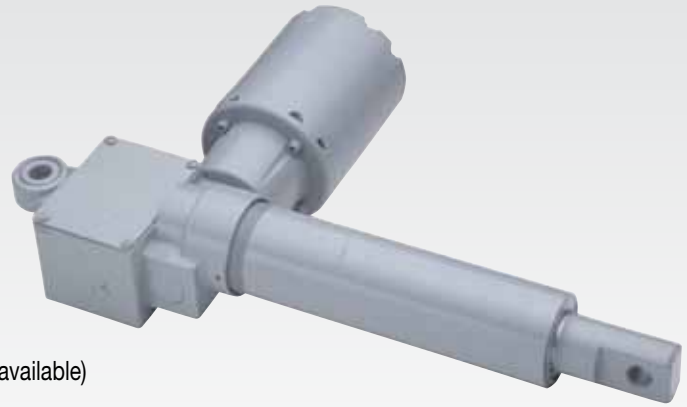


# SERIES

## HMPB

250 lbs (1112 N)



TUBE RESTRAINING TORQUE:	30 in-lbf (3.4 Nm)
DESIGN:	Acme screw
TEMPERATURE RANGE:	-20°F to 120°F (-29°C to 50°C) (Special low temperature grease available)
ENVIRONMENT:	IP50 protection standard (IP52 optional)

### FEATURES & BENEFITS

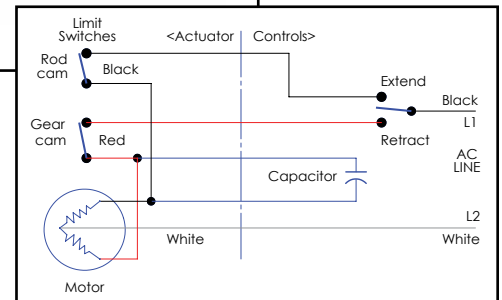
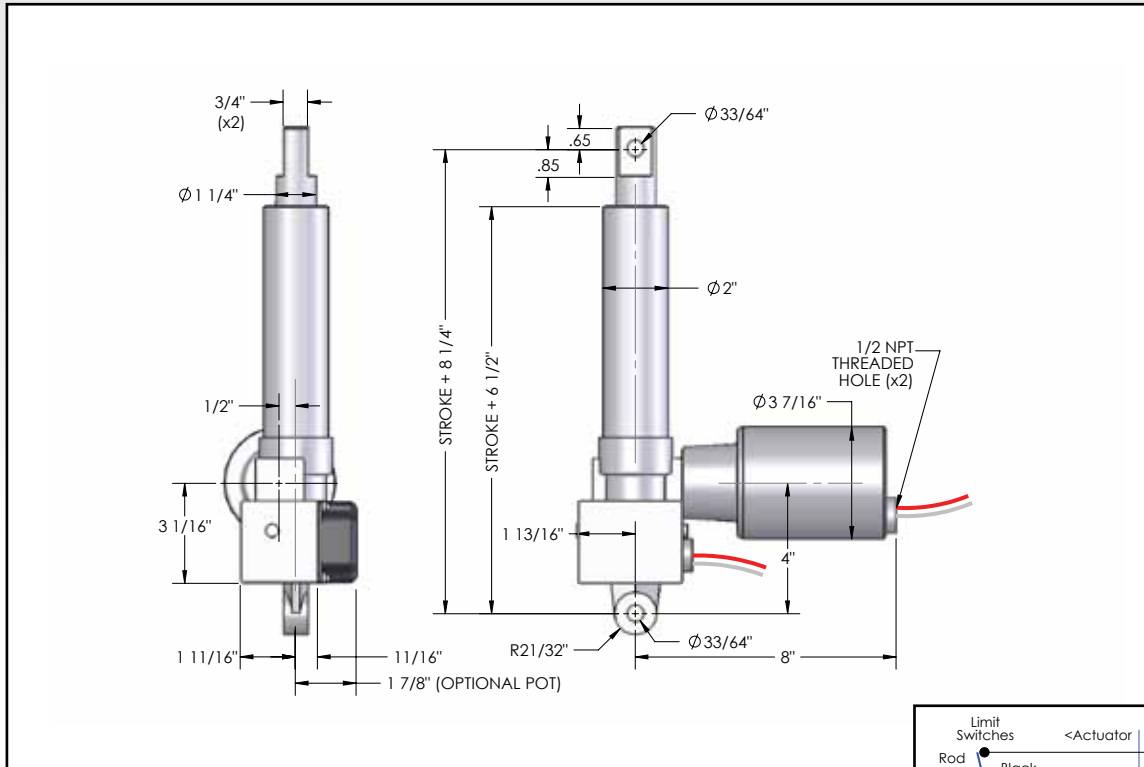
- Heavy duty design for long life in tough applications
- Aluminum housing and outer tube
- Steel translating tube – zinc chromate plated
- Double clevis mounting
- Bi-directional ball type brake
- Internal adjustable limit switches
- Automatic reset thermal overload motor protection

### OPTIONS

- Weather resistant sealant – IP52 (add “W” prefix)
- Potentiometer (add “P” prefix)
- Capacitor (see table on next page)
- Bellows boot



## DIMENSIONS



## PRODUCT INFORMATION

Part Number	Rated Load		Stroke Length		Retracted Length		Voltage	Current Draw at Rated Load (A)	Speed at Rated Load		Potentiometer	Duty Cycle at Rated Load	Shipping Weight	
	lbs	N	in	mm	in	mm			in/s	mm/s			lbs	kg
MPB3905-3	250	1112	3	76	11.25	285	115 VAC (60 Hz)	2	0.7	18	No	23%	11	5.0
MPB3905-6			6	152	14.25	362							13	5.9
MPB3905-12			12	304	20.25	514							16	7.3
MPB3905-18			18	457	26.25	666							18	8.2
MPB4905-3	250	1112	3	76	11.25	285	220 VAC (50 Hz)	1	0.6	15	No	21%	11	5.0
MPB4905-6			6	152	14.25	362							13	5.9
MPB4905-12			12	304	20.25	514							16	7.3
MPB4905-18			18	457	26.25	666							18	8.2
HMPB3905-3	250	1112	3	76	11.25	285	115 VAC (60 Hz)	5	1.4	35	No	11%	11	5.0
HMPB3905-6			6	152	14.25	362							13	5.9
HMPB3905-12			12	304	20.25	514							16	7.3
HMPB3905-18			18	457	26.25	666							18	8.2
PHMPB3905-3	250	1112	3	76	11.25	285	115 VAC (60 Hz)	5	1.4	35	Yes	10%	12	5.4
PHMPB3905-6			6	152	14.25	362							14	6.4
PHMPB3905-12			12	304	20.25	514							17	7.7
PHMPB3905-18			18	457	26.25	666							19	8.6

Note: A capacitor is required for all AC volt motors.