

# SERIES

## SCN50

50 TON (490 kN)

**SPEED:** Up to 393.5 in/min (9995 mm/min)

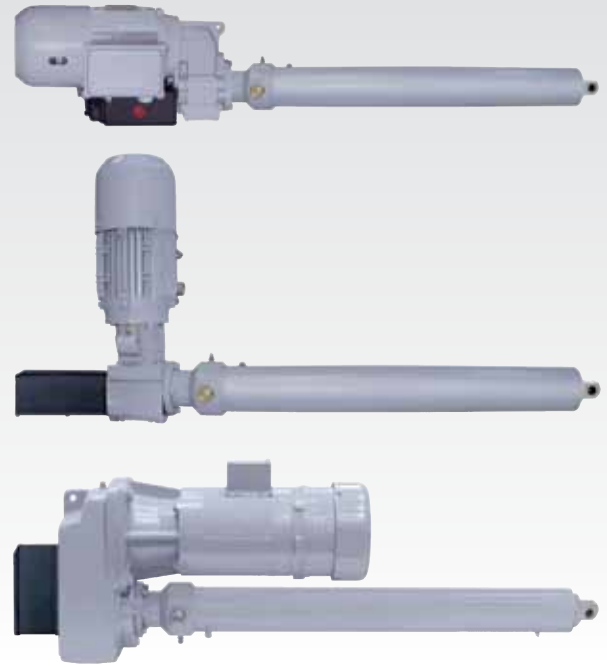
**BRAKE MOTOR:** TEFC 230/460 VAC, 3 ph, 60 Hz

**STROKES:** Up to 176 in (4470 mm)\*

**TEMPERATURE RANGE:** 0°F to 120°F (-18°C to 50°C)\*\*

\*Consult Duff-Norton engineering for longer stroke lengths

\*\*For other temperatures please consult the factory



### FEATURES & BENEFITS

- Easy to install - reduces installation costs
- Custom designed for your application
- Low maintenance design - easy to maintain after installation
- Long product life expectancy
- Ball screw
- Steel trunnion housing
- Chrome plated translating tube
- Adjustable end of stroke limit switches
- Trunnion mounting
- Motor configurations include: parallel, right angle and offset

### OPTIONS

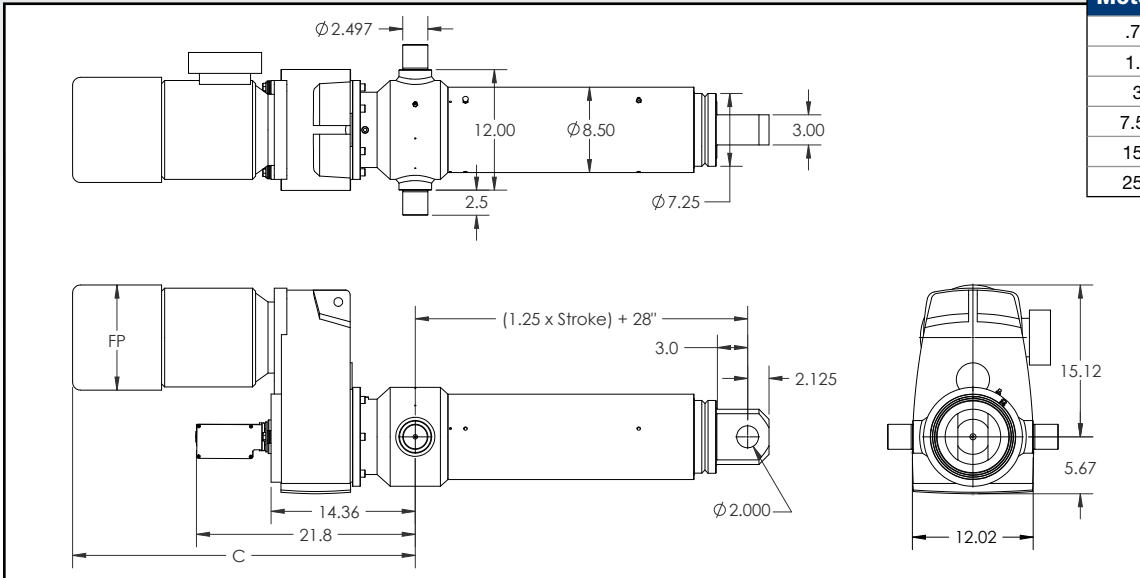
- Encoder/potentiometer for position feedback
- Food grade component options available
- Product designs for outdoor applications
- Other special packages are available upon your application needs





## OFFSET MOTOR

Motor HP	C	FP
.75-1	26.13	6.14
1.5-2	27.42	6.92
3-5	29.23	7.63
7.5-10	34.15	10.16
15-20	38.99	12.60
25-30	40.72	14.09



## PRODUCT INFORMATION

Part Number	Rated Load		Retracted Length in (mm)	Speed		Max Stroke		Motor	
	lbs	N		in/min	mm/min	in	mm	HP	kW
NZ50-0432	26,740	118.95	(1.25 x Stroke) + 28 (711)	393.5	9995	176*	4470	30	22.4
NZ50-0501	31,011	137.94		339.3	8619	176*	4470	30	22.4
NZ50-0529	32,744	145.65		321.4	8163	176*	4470	30	22.4
NZ50-0571	35,344	157.22		297.7	7562	176*	4470	30	22.4
NZ50-0633	39,182	174.29		268.6	6821	176*	4470	30	22.4
NZ50-0717	44,381	197.42		237.1	6022	176*	4470	30	22.4
NZ50-0870	53,852	239.54		195.4	4963	176*	4470	30	22.4
NZ50-0946	58,556	260.47		179.7	4564	176*	4470	30	22.4
NZ50-1071	66,293	294.89		158.7	4032	176*	4470	30	22.4
NZ50-1300	80,468	357.94		130.8	3322	176*	4470	30	22.4
NZ50-1538	95,200	423.47		110.5	2808	162	4115	30	22.4
NZ50-1759	90,733	403.60		96.6	2455	166	4216	25	18.6
NZ50-1888	97,387	433.20		90.0	2287	160	4064	25	18.6
NZ50-2036	105,021	467.16		83.5	2121	157	3988	25	18.6
NZ50-2500	103,164	458.90		68.0	1727	157	3988	20	14.9
NZ50-3050	94,395	419.89		55.7	1416	162	4115	15	11.2
NZ50-3343	103,463	460.23		50.9	1292	157	3988	15	11.2
NZ50-3546	73,164	325.45		47.9	1218	176*	4470	10	7.5
NZ50-4080	84,182	374.46		41.7	1058	173	4394	10	7.5
NZ50-4194	86,534	384.92		40.5	1030	170	4318	10	7.5
NZ50-5149	106,238	472.57		33.0	839	157	3988	10	7.5
NZ50-5555	85,961	382.37		30.6	777	171	4343	7.5	5.6
NZ50-6863	106,202	472.41		24.8	629	157	3988	7.5	5.6
NZ50-8161	84,192	374.50		20.8	529	173	4394	5	3.7
NZ50-9181	94,715	421.31		18.5	470	162	4115	5	3.7
NZ50-10019	103,360	459.77		17.0	431	157	3988	5	3.7
NZ50-13403	82,962	369.03		12.7	322	174	4420	3	2.2
NZ50-15392	95,274	423.80		11.0	281	161	4089	3	2.2
NZ50-17127	106,013	471.57		9.9	252	157	3988	3	2.2
NZ50-20257	83,592	371.83		8.4	213	173	4394	2	1.5
NZ50-24870	102,627	456.51	6.8	174	157	3988	2	1.5	
NZ50-26999	83,560	371.69	6.3	160	173	4394	1.5	1.1	
NZ50-33148	102,590	456.34	5.1	130	157	3988	1.5	1.1	
NZ50-36169	111,940	497.93	4.7	119	157	3988	1.5	1.1	
NZ50-42779	88,265	392.62	4.0	101	168	4267	1	0.7	
NZ50-52520	108,363	482.02	3.2	82	157	3988	1	0.7	
NZ50-57018	88,233	392.48	3.0	76	168	4267	0.75	0.6	
NZ50-70003	108327	481.86	2.4	62	157	3988	0.75	0.6	

\*Consult Duff-Norton engineering for longer stroke lengths. Note: For models shaded in blue, add 2.74 inches to "C" dimension.



# SERIES

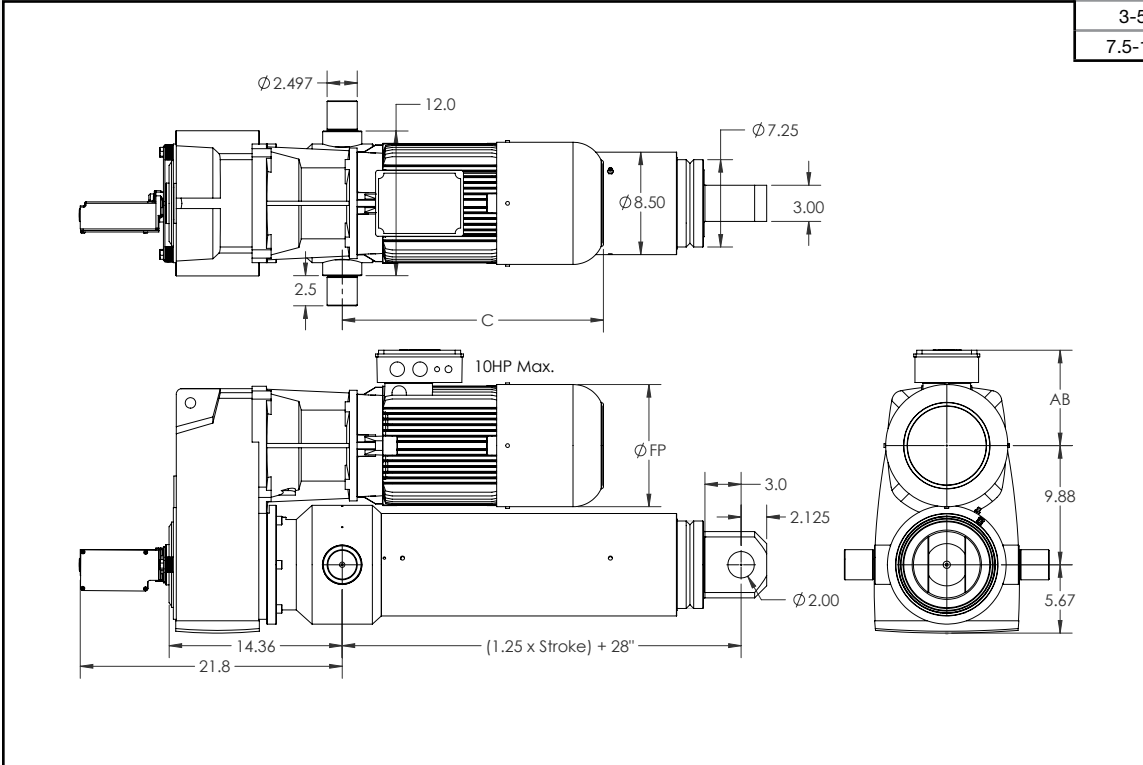
## SCN50

### 50 TON (490 kN)



#### PARALLEL MOTOR

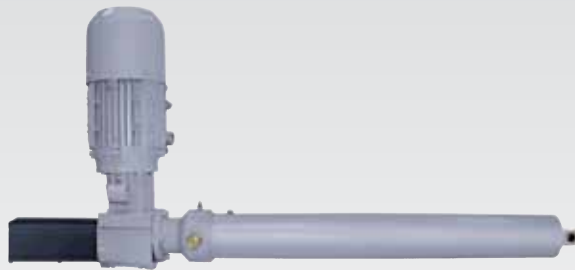
Motor HP	C	FP	AB
3-5	17.15	7.63	6.65
7.5-10	21.91	10.16	8.03



#### PRODUCT INFORMATION

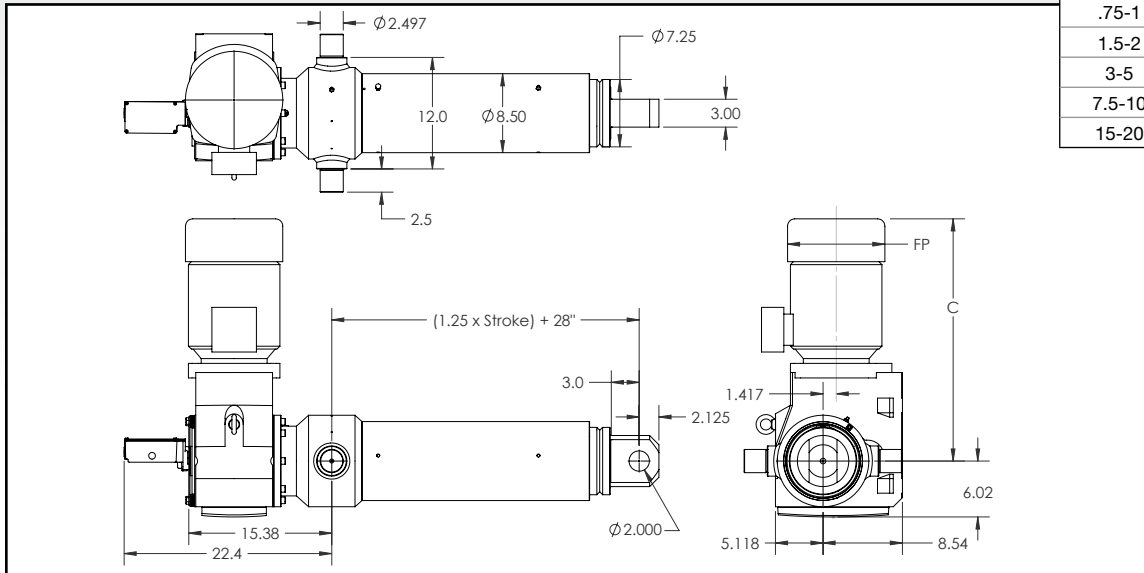
Part Number	Rated Load		Retracted Length in (mm)	Speed		Max Stroke		Motor	
	lbs	N		in/min	mm/min	in	mm	HP	kW
NU50-1888	38,955	172.96	(1.25 x Stroke) + 28 (711)	90.0	2287	176*	4470	10	7.5
NU50-2036	42,008	186.52		83.5	2121	176*	4470	10	7.5
NU50-2500	51,582	229.02		68.0	1727	176*	4470	10	7.5
NU50-3050	62,930	279.41		55.7	1416	176*	4470	10	7.5
NU50-3343	68,975	306.25		50.9	1292	176*	4470	10	7.5
NU50-3546	73,164	324.85		47.9	1218	176*	4470	10	7.5
NU50-4080	84,182	373.77		41.7	1058	173	4394	10	7.5
NU50-4194	86,534	384.21		40.5	1030	170	4318	10	7.5
NU50-5149	106,238	471.70		33.0	839	157	3988	10	7.5
NU50-5555	85,961	381.67		30.6	777	171	4343	7.5	5.6
NU50-6863	106,202	471.54		24.8	629	157	3988	7.5	5.6
NU50-8161	84,192	373.81		20.8	529	173	4394	5	3.7
NU50-9181	94,715	420.53		18.5	470	162	4115	5	3.7
NU50-10019	103,360	458.92		17.0	431	157	3988	5	3.7
NU50-13403	82,962	368.35		12.7	322	174	4420	3	2.2

\*Consult Duff-Norton engineering for longer stroke lengths.



## RIGHT ANGLE MOTOR

Motor HP	C	FP
.75-1	27.56	6.14
1.5-2	29.61	6.92
3-5	31.42	7.63
7.5-10	36.34	10.16
15-20	41.19	12.60



## PRODUCT INFORMATION

Part Number	Rated Load		Retracted Length in (mm)	Speed		Max Stroke		Motor	
	lbs	N		in/min	mm/min	in	mm	HP	kW
NL50-0883	36,437	161.78	(1.25 x Stroke) + 28 (711)	192.5	4890	176*	4470	20	14.9
NL50-0939	38,748	172.04		181.0	4599	176*	4470	20	14.9
NL50-1021	42,132	187.07		166.5	4229	176*	4470	20	14.9
NL50-1140	47,043	208.87		149.1	3788	176*	4470	20	14.9
NL50-1340	55,296	245.51		126.9	3222	176*	4470	20	14.9
NL50-1566	64,622	286.92		108.6	2757	176*	4470	20	14.9
NL50-1820	75,103	333.46		93.4	2373	176*	4470	20	14.9
NL50-2032	83,852	372.30		83.7	2125	173	4394	20	14.9
NL50-2389	98,583	437.71		71.2	1807	159	4039	20	14.9
NL50-2791	86,379	383.52		60.9	1547	170	4318	15	11.2
NL50-3170	98,109	435.60		53.6	1362	159	4039	15	11.2
NL50-3439	106,434	472.57		49.4	1256	157	3988	15	11.2
NL50-4054	83,645	371.38		41.9	1065	173	4394	10	7.5
NL50-4767	98,356	436.70		35.7	906	159	4039	10	7.5
NL50-5569	86,178	382.63		30.5	775	170	4318	7.5	5.6
NL50-6325	97,877	434.57		26.9	683	159	4039	7.5	5.6
NL50-6861	106,171	471.40		24.8	629	157	3988	7.5	5.6
NL50-7618	78,590	348.94		22.3	567	176*	4470	5	3.7
NL50-8643	89,165	395.89		19.7	500	167	4242	5	3.7
NL50-9556	98,583	437.71		17.8	452	159	4039	5	3.7
NL50-11779	72,910	323.72		14.4	367	176*	4470	3	2.2
NL50-13279	82,195	364.94		12.8	325	175	4445	3	2.2
NL50-15979	98,907	439.15		10.6	270	158	4013	3	2.2
NL50-19512	80,517	357.50		8.7	221	176*	4470	2	1.5
NL50-23501	96,978	430.58		7.2	184	160	4064	2	1.5
NL50-27373	112,956	501.53		6.2	158	157	3988	2	1.5
NL50-32969	102,036	453.04		5.2	131	157	3988	1.5	1.1
NL50-40482	125,288	556.28		4.2	107	157	3988	1.5	1.1
NL50-56804	117,202	520.38		3.0	76	157	3988	1	0.7
NL50-64518	99,839	443.28		2.6	67	157	3988	0.75	0.6
NL50-88160	90,949	403.81		1.9	49	166	4216	0.5	0.4

\*Consult Duff-Norton engineering for longer stroke lengths. Note: For models shaded in blue, add 2.74 inches to "C" dimension.