

Power Transmission Components

NEW

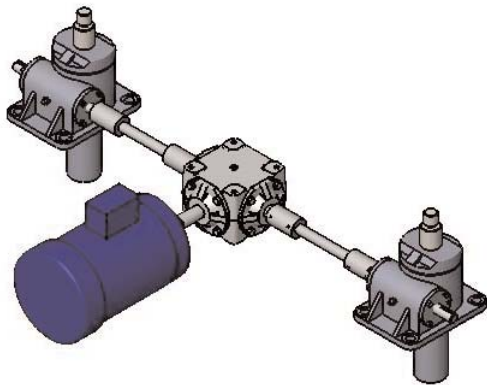
Duff-Norton offers all of the components necessary to complete your power transmission system, whether it consists of a single actuator or a multiple actuator arrangement. We offer a complete line of accessories to interconnect two or more actuators and provide permanent synchronization. Duff-Norton's Application Engineers can specify shafts, couplings, pillow blocks, and right-angle miter gearboxes to accommodate any layout. Bellows boots to protect actuator screws from dirt and other contaminants are available for all actuators, to increase life and reduce maintenance requirements.

The following pages outline the basic selection of power transmission components that can be utilized to assemble a system. The tables match the parts to their respective actuator sizes to assist selection.

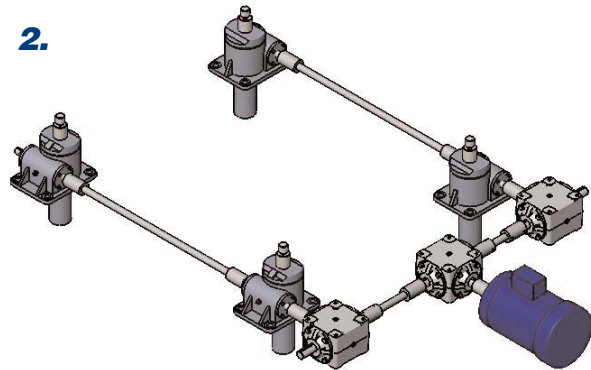
By letting Duff-Norton be your sole source for actuator system components, you can consolidate your needs on one purchase order, reducing time spent sourcing, pricing, and receiving parts. Should you have questions, contact our customer service representatives. Duff-Norton's extensive experience in actuator systems can provide you with suggestions for the most economical and reliable method to complete your lifting system.

Typical System Arrangements

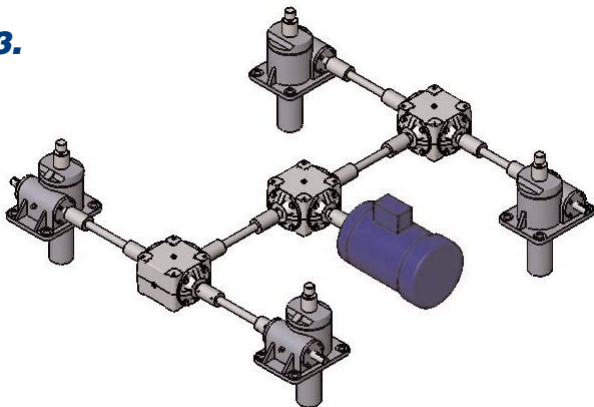
1.



2.



3.



4.

