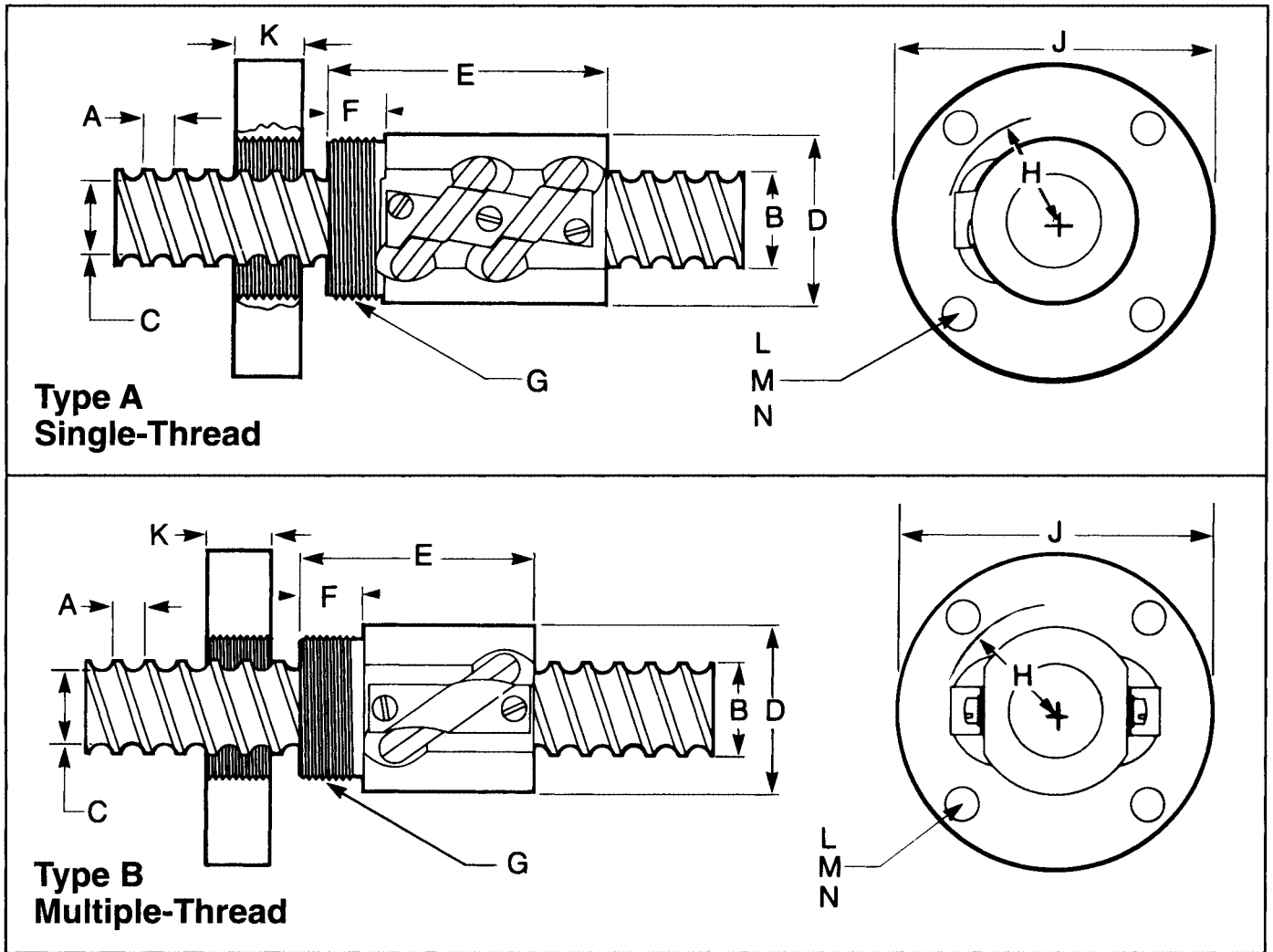


Dimensional Specifications



Ball Screw

Ball Circle Diameter	A Lead	LH/RH	B-Maximum Major Diameter	C Root Diameter	Standard Length	Model Number
1.171	0.413	RH	1.160	0.870	13' 4"	117BS041
1.500	0.474	RH	1.470	1.140	13' 4"	150BS047
1.500	1.000	RH	1.480	1.140	13' 4"	150BS100
2.250	0.500	RH	2.230	1.850	19' 8"	225BS050

Ball Nut

Ball Circle Diameter	A Lead	Type	LH/RH	D - Maximum Outside Diameter	E - Maximum Overall Diameter	F - Maximum Thread Length	G Thread Size	H - Maximum Radius Over Tube	Model Number
1.171	0.413	A	RH	2.127	3.380	0.810	1.967-18NF-3	1.386	117BN041
1.500	0.474	A	RH	2.627	4.317	0.880	2.548-18NF-3	1.613	150BN047
1.500	1.000	B	RH	2.627	3.633	1.005	2.250-20UN-2A	1.720	150BN100
2.250	0.500	A	RH	3.377	6.693	1.572	3.137-12NF-3	2.272	225BN050

Flange

Ball Circle Diameter	A Lead	J Diameter	K Width	L - Bolt Circle Diameter	M - Number of Mounting Holes	N - Mounting Hole Diameter	Part Number
1.171	0.413	4.200	0.832	3.440	4	0.397	SK-28004-6
1.500	0.474	4.937	0.895	4.062	4	0.531	SK-2807-1
1.500	1.000	4.937	1.020	4.125	4	0.531	SK-3806-8
2.250	0.500	5.375	1.582	4.375	6	0.656	SK-2821-3